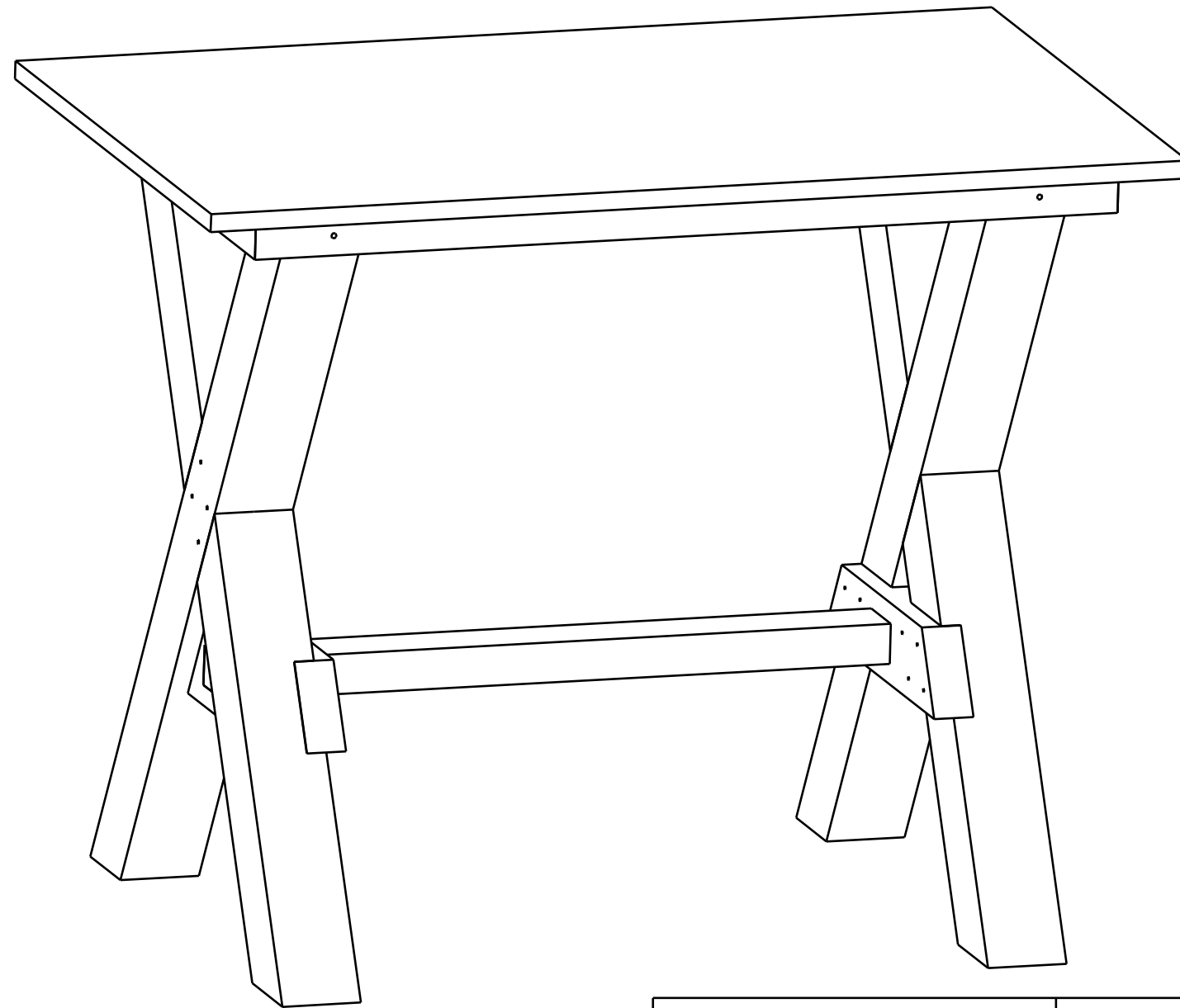


Holzauflage Landeswettbewerb 2018



This drawing is our property. It can't be reproduced or communicated without our written agreement.		THW Jugend NRW e.V. Landeswettbewerb 2018		
DRAWN BY M. Sierpinski		DATE 22.01.2018	DRAWING TITLE Tisch	
CHECKED BY AK Wettbewerb		DATE xx.xx.2018	SIZE A3	DRAWING NUMBER Übersicht
DESIGNED BY M. Sierpinski		DATE 22.01.2018	SCALE 1:6	REV X
		WEIGHT (kg)		SHEET 1/10

H

G

F

E

D

C

B

A

4

4

3

3

2

2

1

1

996

600

Dicke der Tischplatte 18mm

This drawing is our property.
It can't be reproduced
or communicated without
our written agreement.

THW Jugend NRW e.V.
Landeswettkampf 2018

DRAWING TITLE

Tisch

DRAWN BY
M. Sierpinski

DATE
22.01.2018

CHECKED BY
AK Wettkampf

DATE
xx.xx.2018

DESIGNED BY
M. Sierpinski

DATE
22.01.2018

SIZE
A3

DRAWING NUMBER
Übersicht

REV
X

SCALE 1:5 WEIGHT (kg)

SHEET 2/10

H

G

B

A

H G F E D C B A

4

4

3

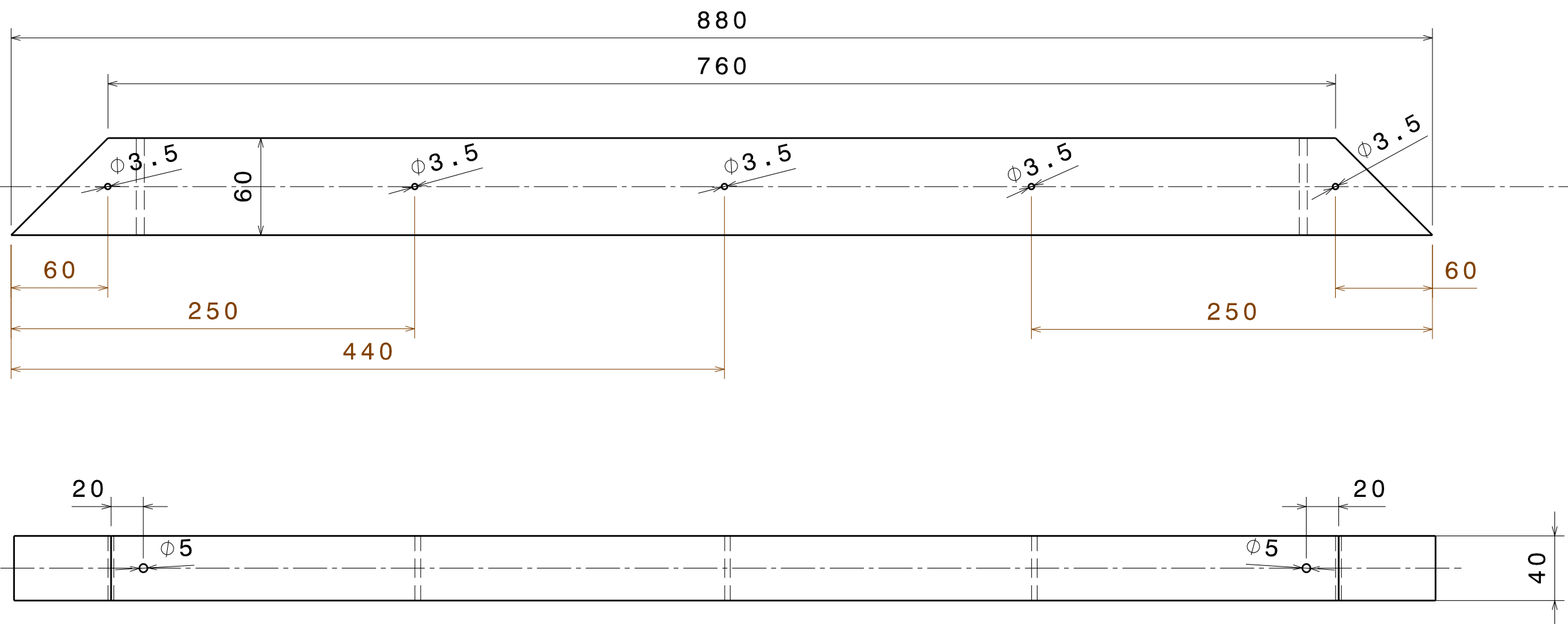
3

2

2

1

1



This drawing is our property. It can't be reproduced or communicated without our written agreement.		THW Jugend NRW e.V. Landeswettkampf 2018		
DRAWN BY M. Sierpinski		DRAWING TITLE Tisch		
DATE 22.01.2018	CHECKED BY AK Wettkampf	SIZE A3	DRAWING NUMBER Tischplatte - Unterrahmen 1	REV X
DESIGNED BY M. Sierpinski	DATE 22.01.2018	SCALE 1:3	WEIGHT (kg)	SHEET 3/10

H G B A

H

G

F

E

D

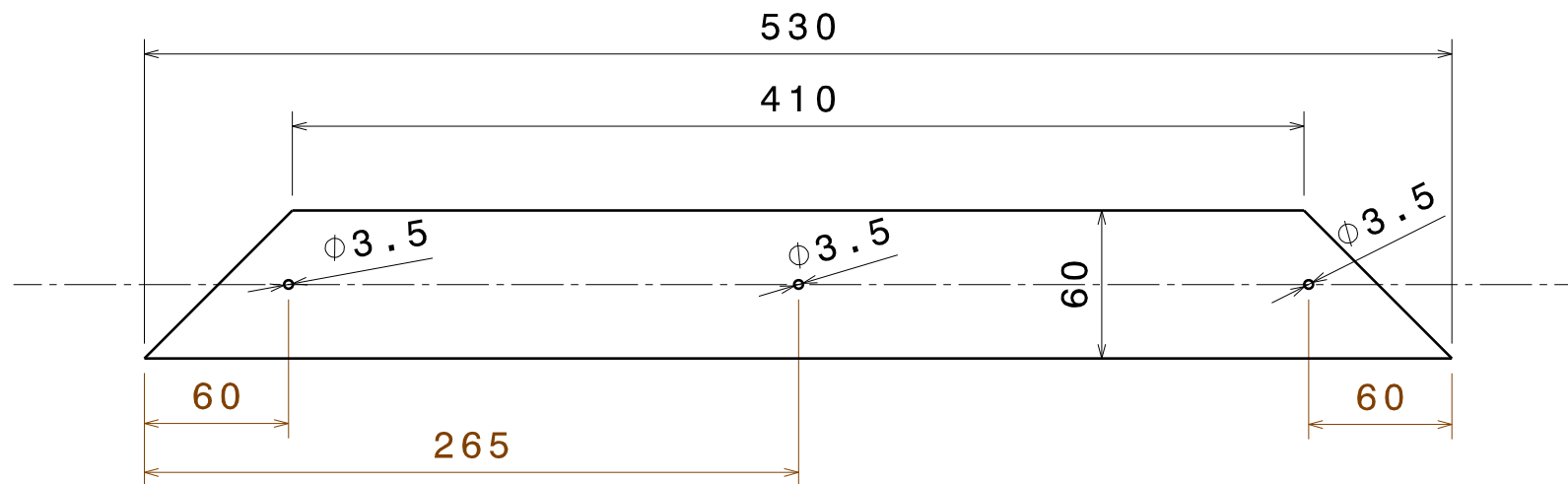
C

B

A

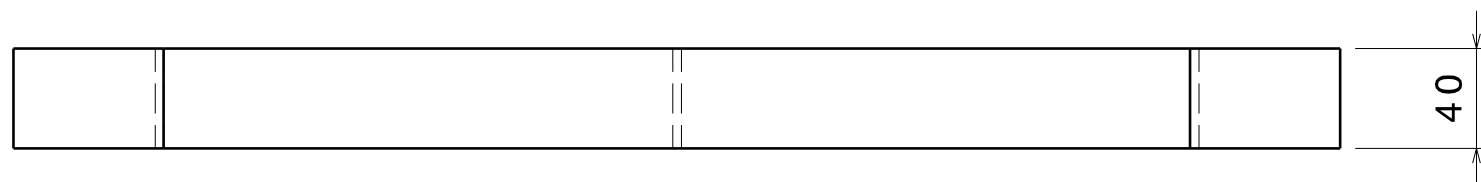
4

4



3

3



2

2

1

1

This drawing is our property. It can't be reproduced or communicated without our written agreement.		THW Jugend NRW e.V. Landeswettkampf 2018		
DRAWN BY M. Sierpinski		DATE 22.01.2018		DRAWING TITLE Tisch
CHECKED BY AK Wettkampf		DATE xx.xx.2018		
DESIGNED BY M. Sierpinski		DATE 22.01.2018		SIZE A3
		DRAWING NUMBER Tischplatte - Unterrahmen 2		REV X
		SCALE 1:3		WEIGHT (kg)
				SHEET 4/10

H

G

B

A

H G F E D C B A

4

4

3

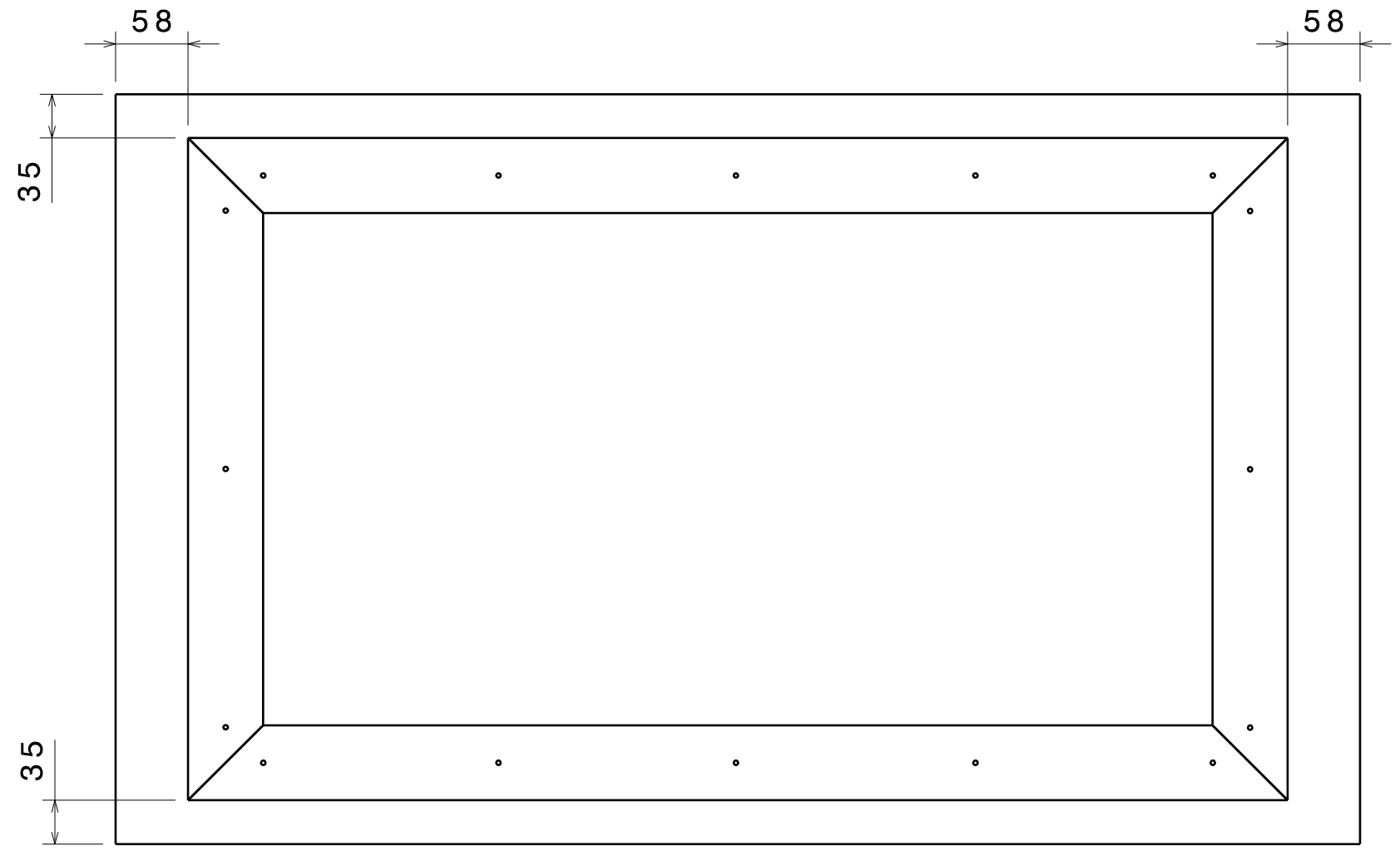
3

2

2

1

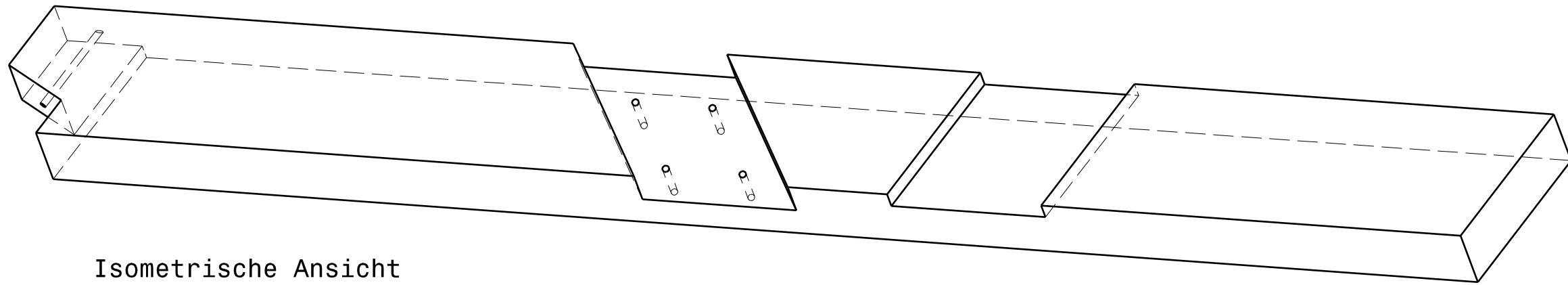
1



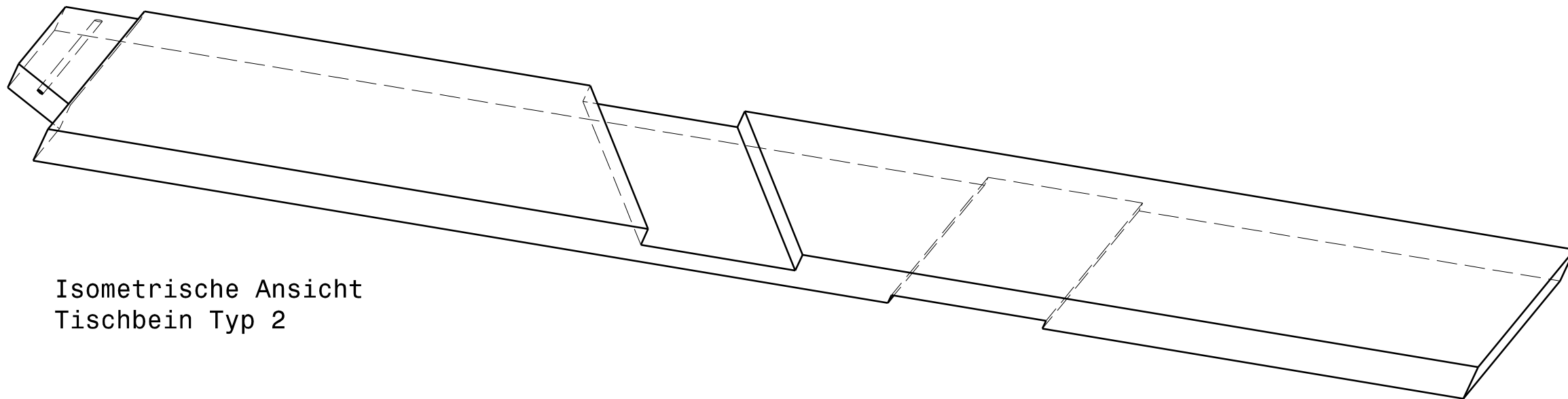
This drawing is our property. It can't be reproduced or communicated without our written agreement.		THW Jugend NRW e.V. Landeswettkampf 2018		
DRAWN BY M. Sierpinski		DATE 22.01.2018	DRAWING TITLE Tisch	
CHECKED BY AK Wettkampf		DATE xx.xx.2018	SIZE A3	
DESIGNED BY M. Sierpinski		DATE 22.01.2018	DRAWING NUMBER Tischplatte-Montage Rahmen	
		SCALE 1:5	WEIGHT (kg)	REV X
				SHEET 5/10

H G B A

H G F E D C B A



Isometrische Ansicht
Tischbein Typ 1



Isometrische Ansicht
Tischbein Typ 2

This drawing is our property. It can't be reproduced or communicated without our written agreement.		THW Jugend NRW e.V. Landeswettkampf 2018			
DRAWING TITLE		<h1>Tisch</h1>			
DRAWN BY M. Sierpinski	DATE 22.01.2018				DRAWING NUMBER
CHECKED BY AK Wettkampf	DATE xx.xx.2018	SIZE A3	Tischbeine Isometrisch		X
DESIGNED BY M. Sierpinski	DATE 22.01.2018	SCALE 1:3	WEIGHT (kg)	SHEET 6/10	

H G B A

4

4

3

3

2

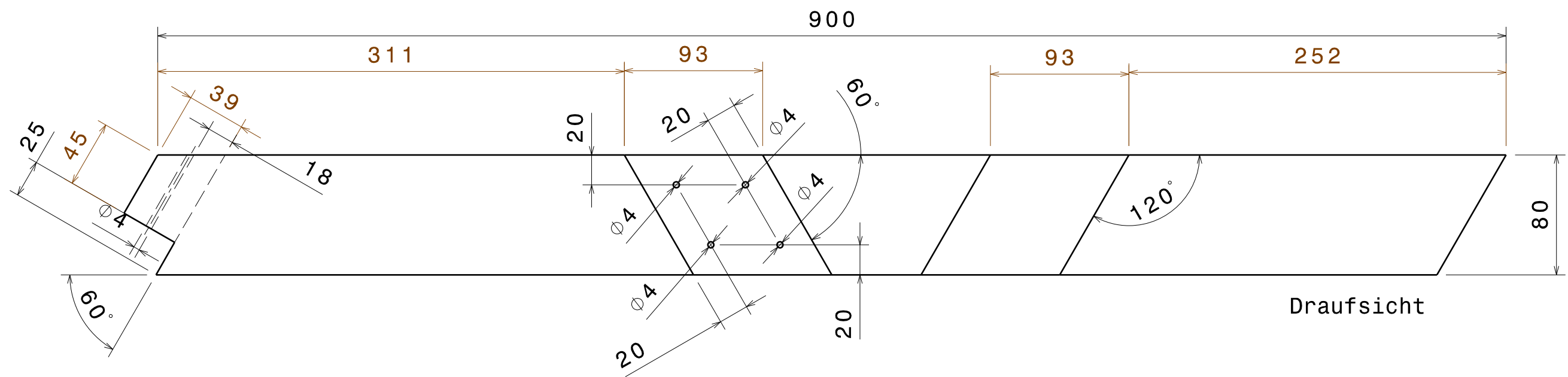
2

1

1

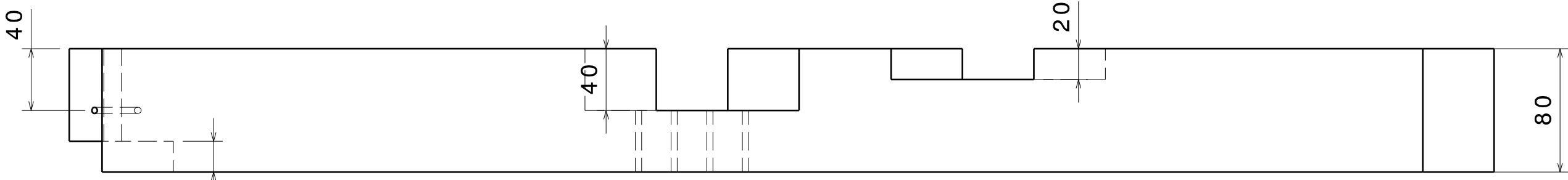
H G F E D C B A

4



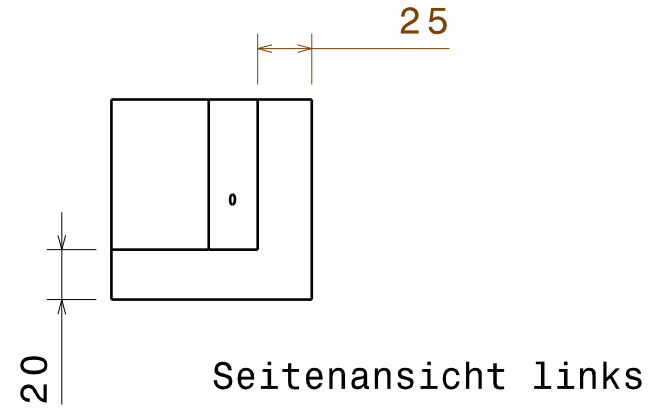
Draufsicht

3



Vorderansicht

2



Seitenansicht links

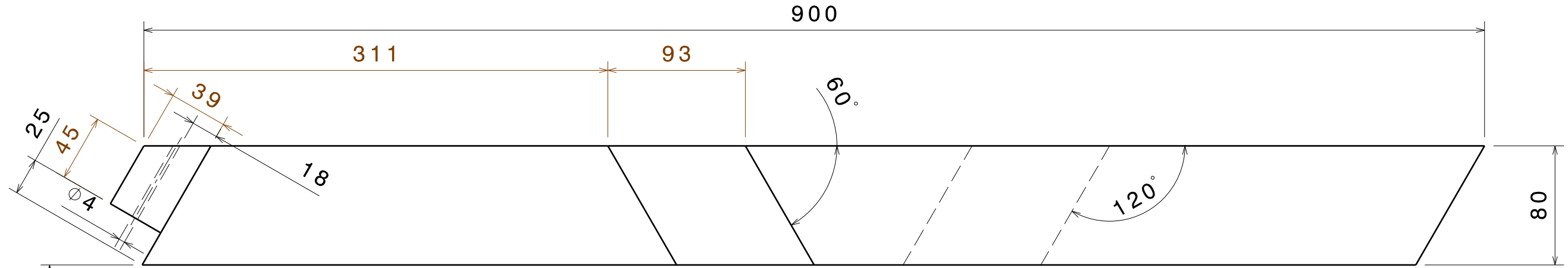
This drawing is our property. It can't be reproduced or communicated without our written agreement.		THW Jugend NRW e.V. Landeswettkampf 2018		
DRAWN BY M. Sierpinski		DATE 22.01.2018		DRAWING TITLE Tisch
CHECKED BY AK Wettkampf		DATE xx.xx.2018		
DESIGNED BY M. Sierpinski		DATE 22.01.2018		SIZE A3
		DRAWING NUMBER Tischbein Typ 1		REV X
		SCALE 1:3		WEIGHT (kg)
				SHEET 7/10

1

H G B A

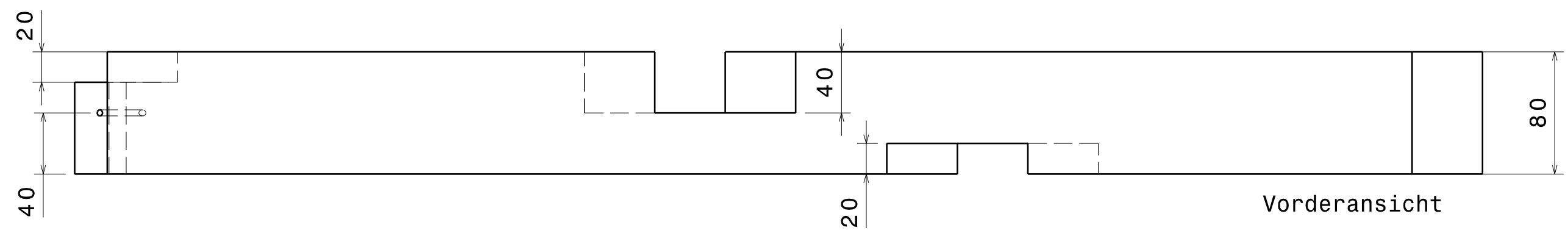
H G F E D C B A

4



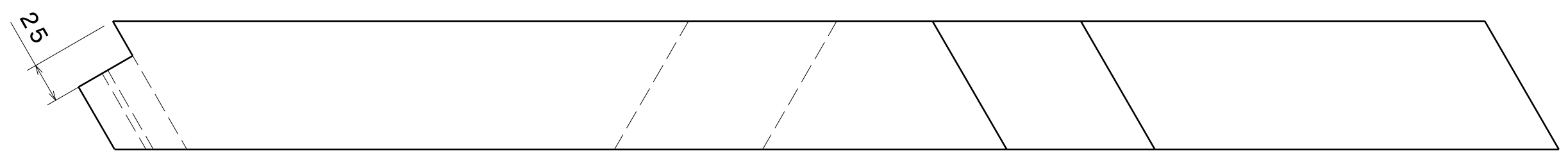
Draufsicht

3



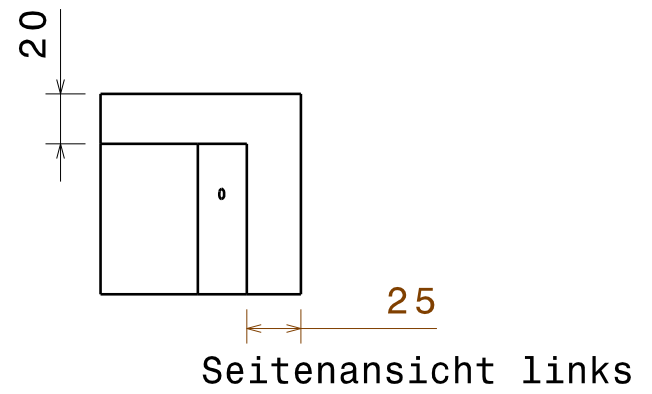
Vorderansicht

2



Untersicht

1



Seitenansicht links

This drawing is our property.
It can't be reproduced
or communicated without
our written agreement.

THW Jugend NRW e.V.
Landeswettkampf 2018

DRAWN BY
M. Sierpinski

DRAWING TITLE
Tisch

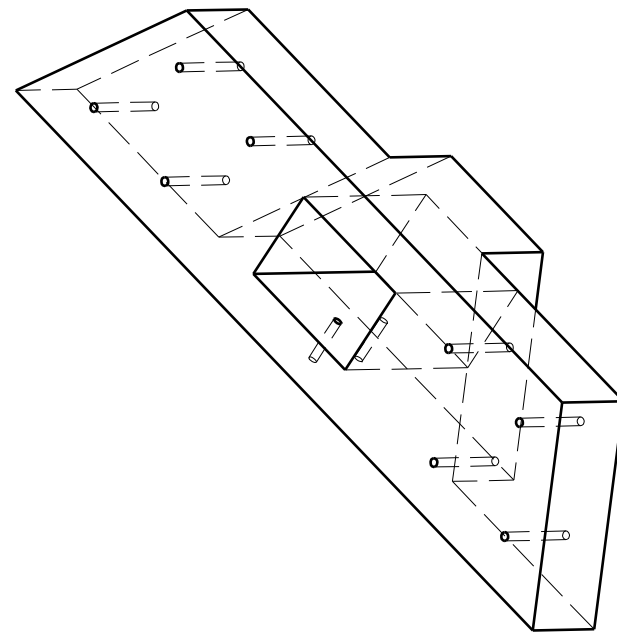
CHECKED BY
AK Wettkampf

DATE 22.01.2018
DATE xx.xx.2018
SIZE **A3**
DRAWING NUMBER **Tischbein Typ 2**
REV **X**

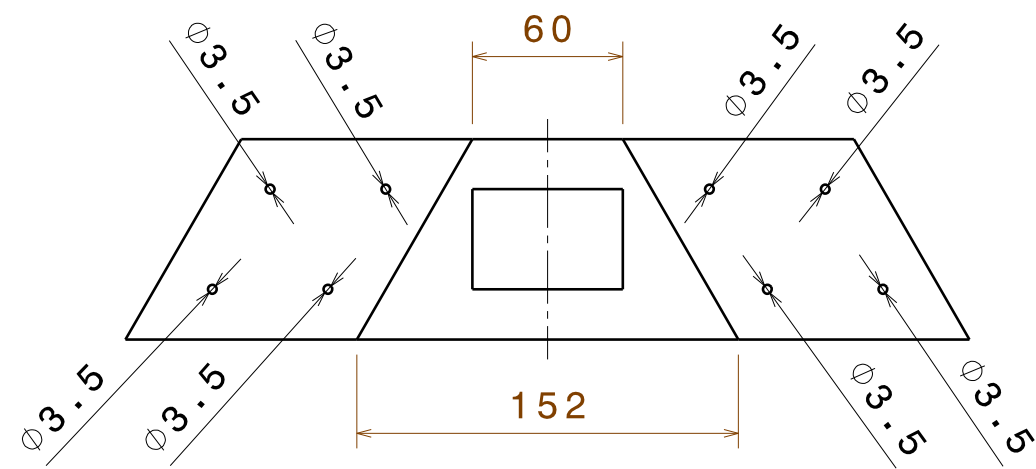
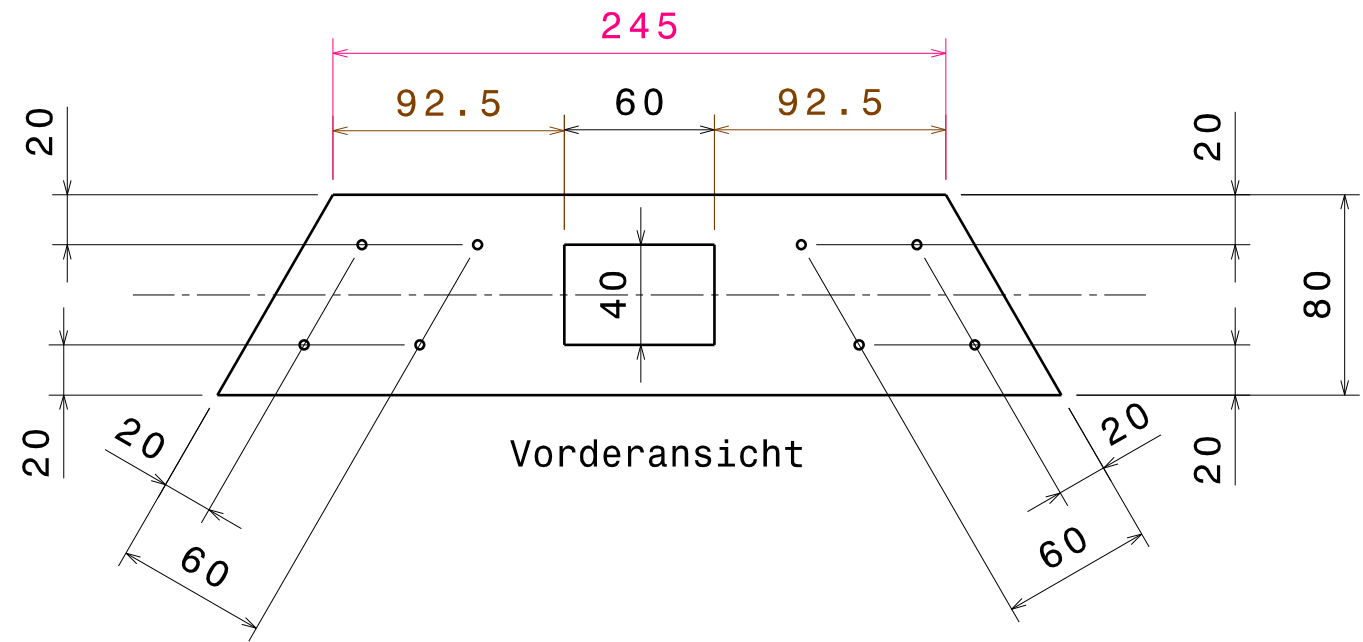
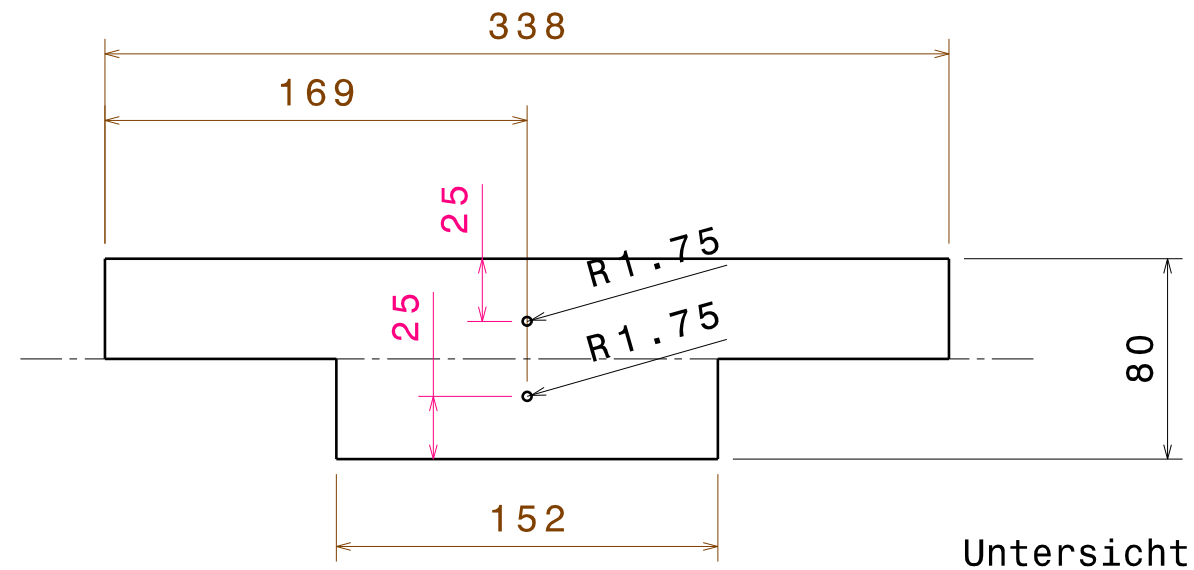
DESIGNED BY
M. Sierpinski

DATE 22.01.2018
SCALE 1:3
WEIGHT (kg)
SHEET 8/10

H G B A



Isometrische Ansicht



This drawing is our property.
It can't be reproduced
or communicated without
our written agreement.

THW Jugend NRW e.V.
Landeswettkampf 2018

DRAWING TITLE

Tisch

DRAWN BY M. Sierpinski	DATE 22.01.2018
CHECKED BY AK Wettkampf	DATE xx.xx.2018
DESIGNED BY M. Sierpinski	DATE 22.01.2018

SIZE A3	DRAWING NUMBER Halter Querstrebe	REV X
SCALE 1:3	WEIGHT (kg)	SHEET 9/10

H

G

F

E

D

C

B

A

4

4

760

60

Vorderansicht

3

3

40

Draufsicht

2

2

1

1

This drawing is our property.
It can't be reproduced
or communicated without
our written agreement.

THW Jugend NRW e.V.
Landeswettkampf 2018

DRAWING TITLE

Tisch

DRAWN BY
M. Sierpinski

DATE
22.01.2018

CHECKED BY
AK Wettkampf

DATE
xx.xx.2018

DESIGNED BY
M. Sierpinski

DATE
22.01.2018

SIZE
A3

DRAWING NUMBER
Querstrebe

REV
X

SCALE 1:3

WEIGHT (kg)

SHEET 10/10

H

G

B

A