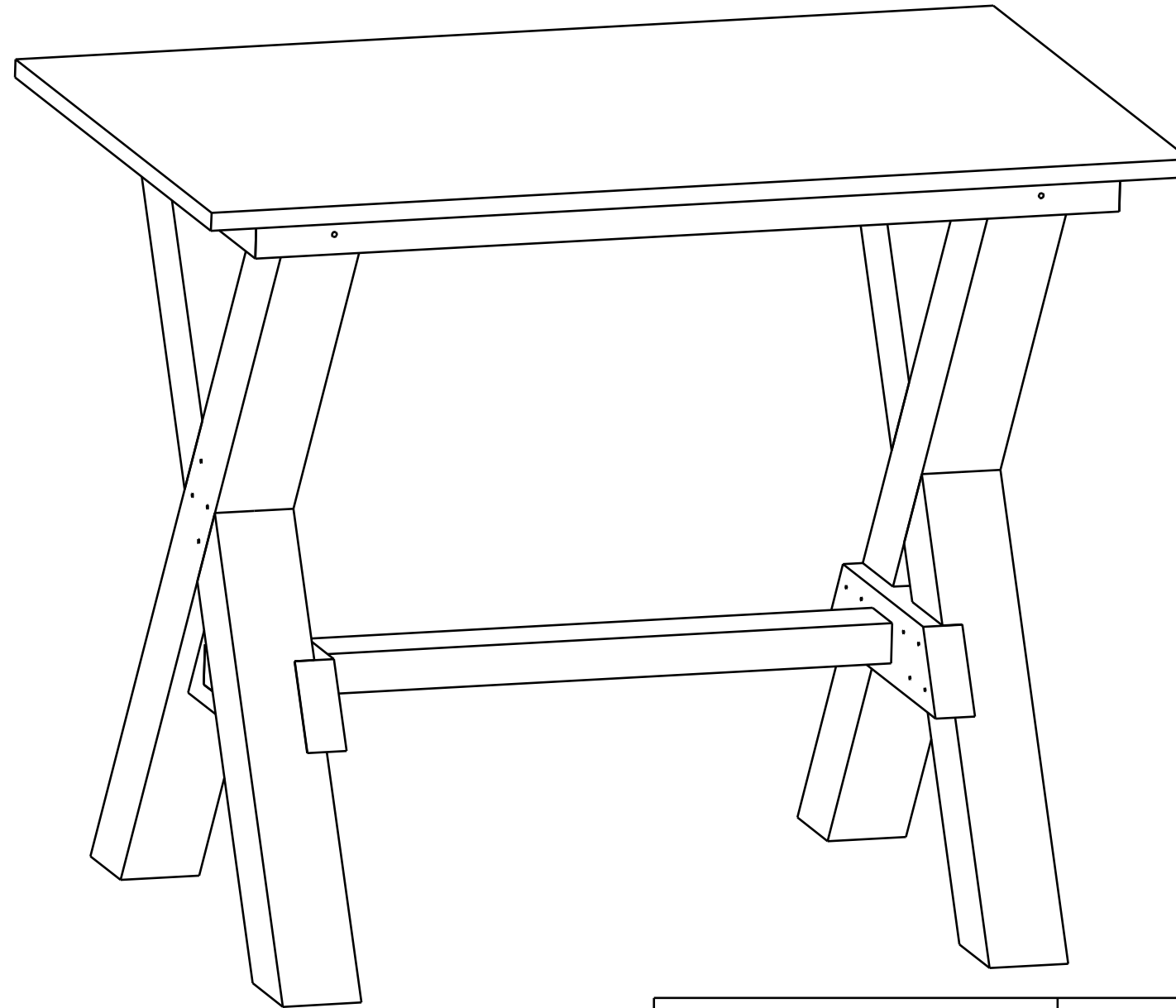


Holzauflage Landeswettbewerb 2018



This drawing is our property. It can't be reproduced or communicated without our written agreement.		THW Jugend NRW e.V. Landeswettbewerb 2018		
DRAWING TITLE		Tisch		
DRAWN BY M. Sierpinski	DATE 22.01.2018	SIZE A3	DRAWING NUMBER Übersicht	REV X
CHECKED BY AK Wettkampf	DATE xx.xx.2018	SCALE 1:6	WEIGHT (kg)	SHEET 1/10
DESIGNED BY M. Sierpinski	DATE 22.01.2018			

H

G

F

E

D

C

B

A

4

4

996

3

3

600

2

2

Dicke der Tischplatte 18mm

1

1

This drawing is our property.
It can't be reproduced
or communicated without
our written agreement.

THW Jugend NRW e.V.
Landeswettkampf 2018

DRAWING TITLE

Tisch

DRAWN BY
M. Sierpinski

DATE
22.01.2018

CHECKED BY
AK Wettkampf

DATE
xx.xx.2018

SIZE
A3

DRAWING NUMBER
Übersicht

REV
X

DESIGNED BY
M. Sierpinski

DATE
22.01.2018

SCALE 1:5

WEIGHT (kg)

SHEET 2/10

H

G

B

A

H G F E D C B A

4

4

3

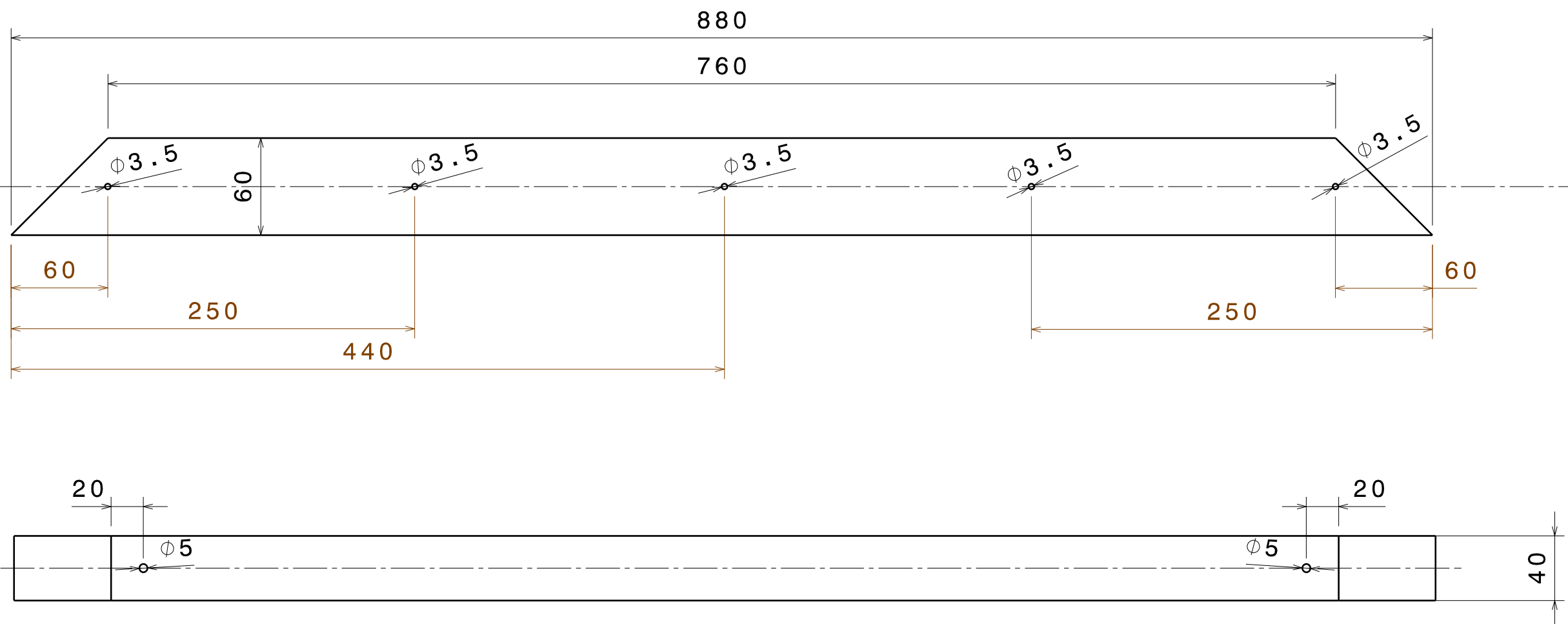
3

2

2

1

1



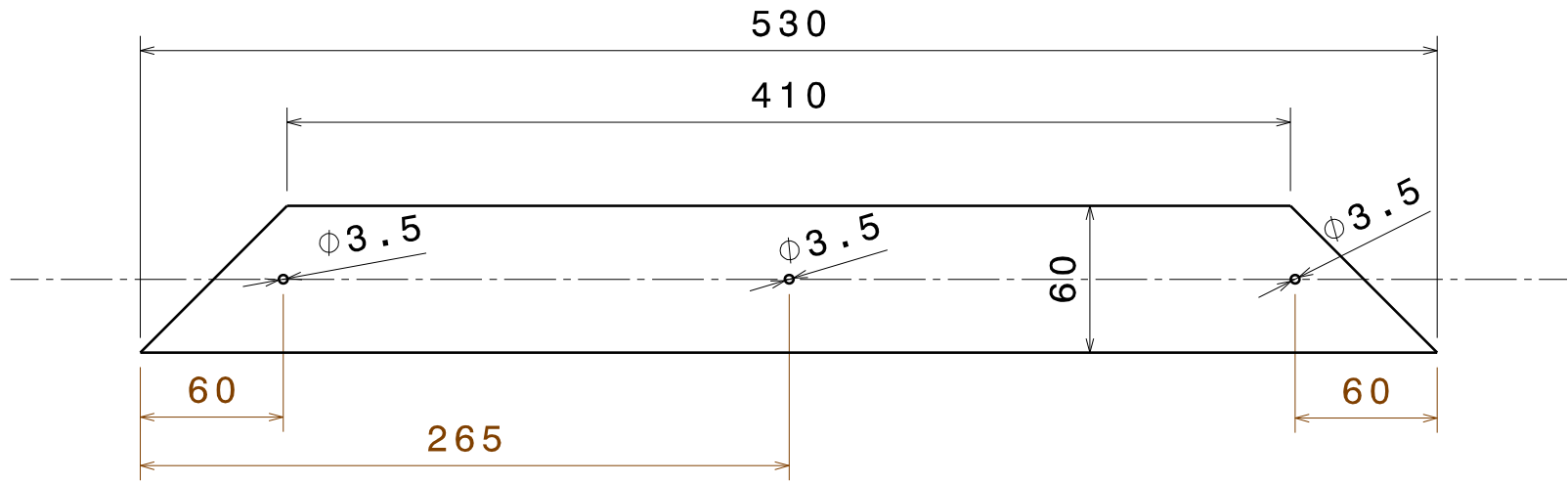
This drawing is our property. It can't be reproduced or communicated without our written agreement.		THW Jugend NRW e.V. Landeswettkampf 2018		
DRAWN BY M. Sierpinski		DRAWING TITLE Tisch		
DATE 22.01.2018	CHECKED BY AK Wettkampf	SIZE A3	DRAWING NUMBER Tischplatte - Unterrahmen 1	REV X
DESIGNED BY M. Sierpinski	DATE 22.01.2018	SCALE 1:3	WEIGHT (kg)	SHEET 3/10

H G B A

H G F E D C B A

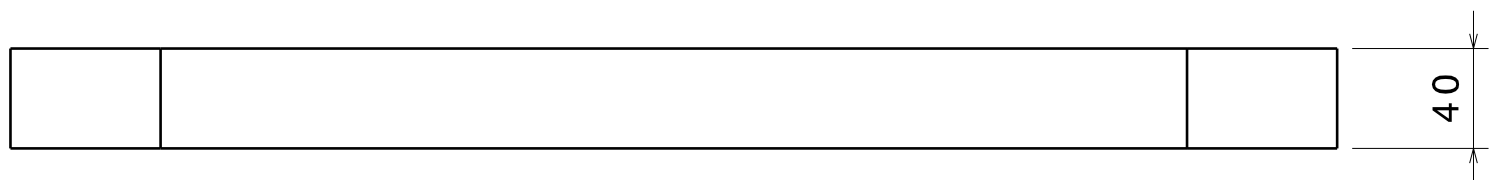
4

4



3

3



2

2

1

1

This drawing is our property. It can't be reproduced or communicated without our written agreement.		THW Jugend NRW e.V. Landeswettkampf 2018		
DRAWN BY M. Sierpinski		DATE 22.01.2018		DRAWING TITLE Tisch
CHECKED BY AK Wettkampf		DATE xx.xx.2018		
DESIGNED BY M. Sierpinski		DATE 22.01.2018		SIZE A3
		DRAWING NUMBER Tischplatte - Unterrahmen 2		REV X
		SCALE 1:3		WEIGHT (kg)
				SHEET 4/10

H G F E D C B A

H G F E D C B A

4

4

3

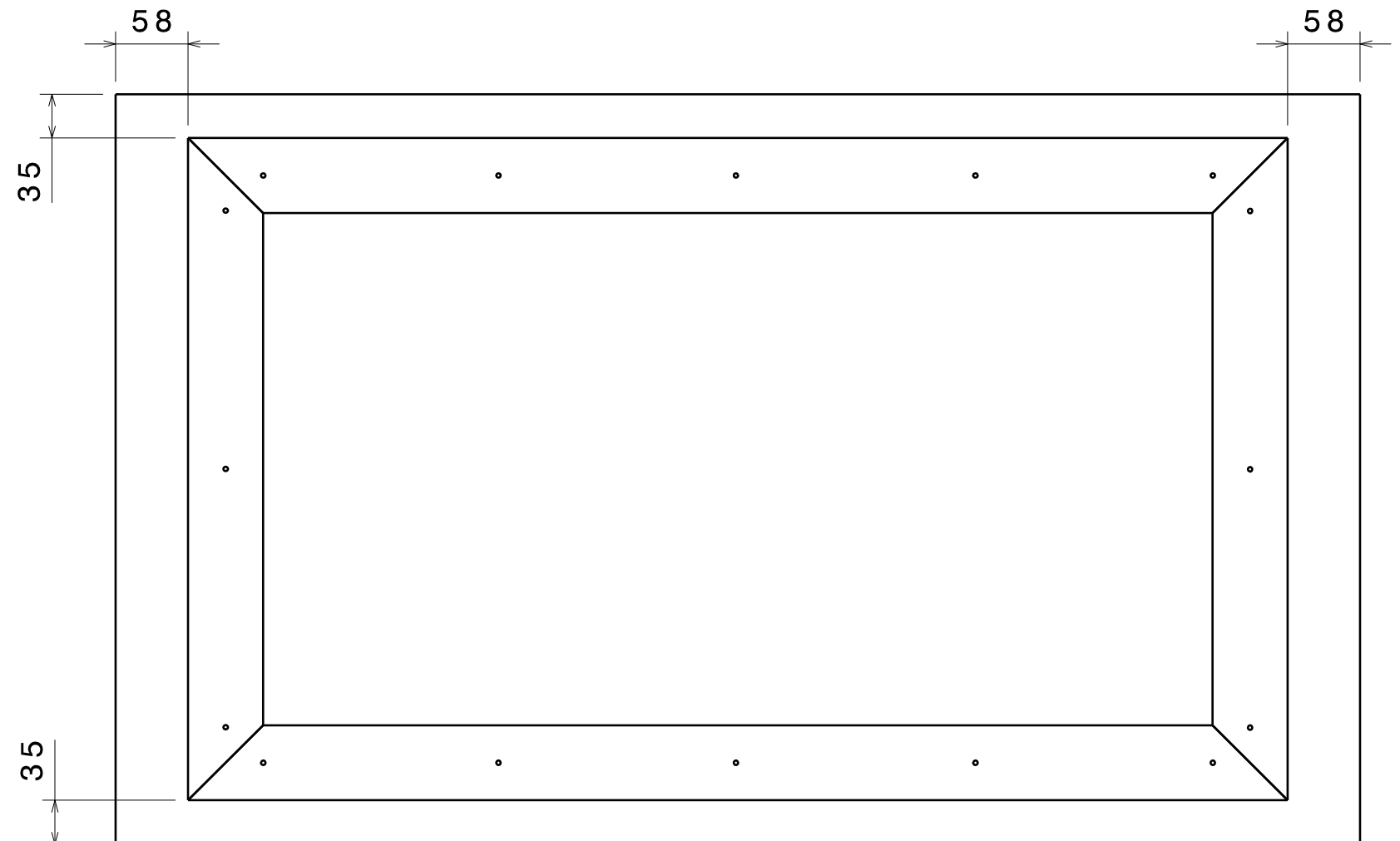
3

2

2

1

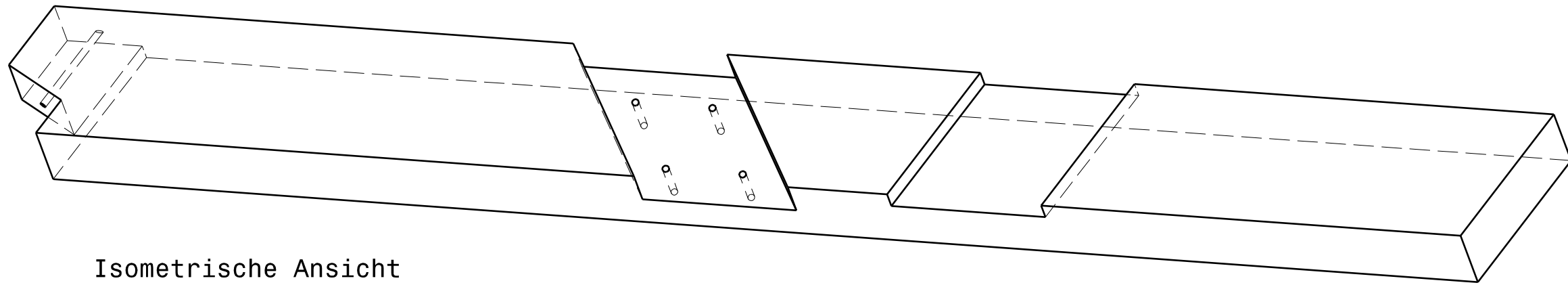
1



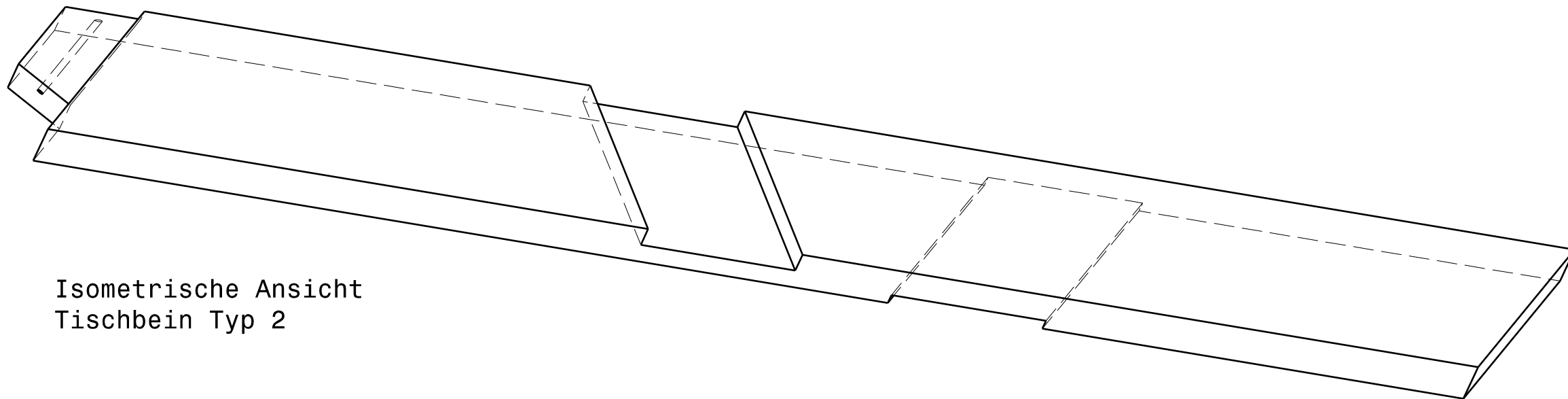
This drawing is our property. It can't be reproduced or communicated without our written agreement.		THW Jugend NRW e.V. Landeswettkampf 2018		
DRAWN BY M. Sierpinski		DRAWING TITLE Tisch		
DATE 22.01.2018	CHECKED BY AK Wettkampf	SIZE A3	DRAWING NUMBER Tischplatte-Montage Rahmen	REV X
DESIGNED BY M. Sierpinski	DATE 22.01.2018	SCALE 1:5	WEIGHT (kg)	SHEET 5/10

H G B A

H G F E D C B A



Isometrische Ansicht
Tischbein Typ 1



Isometrische Ansicht
Tischbein Typ 2

This drawing is our property. It can't be reproduced or communicated without our written agreement.		THW Jugend NRW e.V. Landeswettkampf 2018		
DRAWN BY M. Sierpinski		DATE 22.01.2018	DRAWING TITLE Tisch	
CHECKED BY AK Wettkampf	DATE xx.xx.2018	SIZE A3	DRAWING NUMBER Tischbeine Isometrisch	REV X
DESIGNED BY M. Sierpinski	DATE 22.01.2018	SCALE 1:3	WEIGHT (kg)	SHEET 6/10

H G B A

4

4

3

3

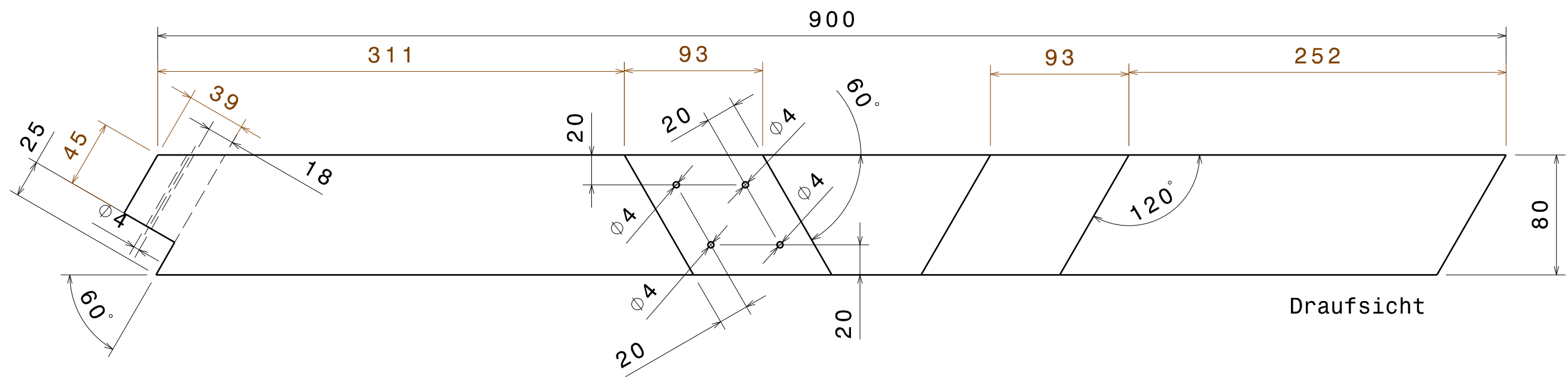
2

2

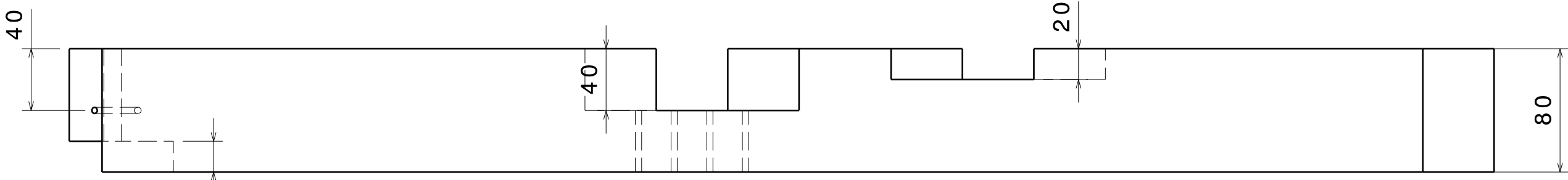
1

1

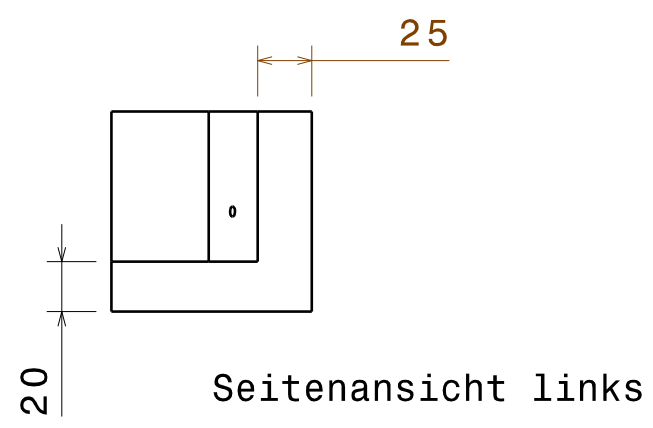
H G F E D C B A



Draufsicht



Vorderansicht



Seitenansicht links

This drawing is our property.
It can't be reproduced
or communicated without
our written agreement.

THW Jugend NRW e.V.
Landeswettkampf 2018

DRAWN BY
M. Sierpinski

DATE
22.01.2018

CHECKED BY
AK Wettkampf

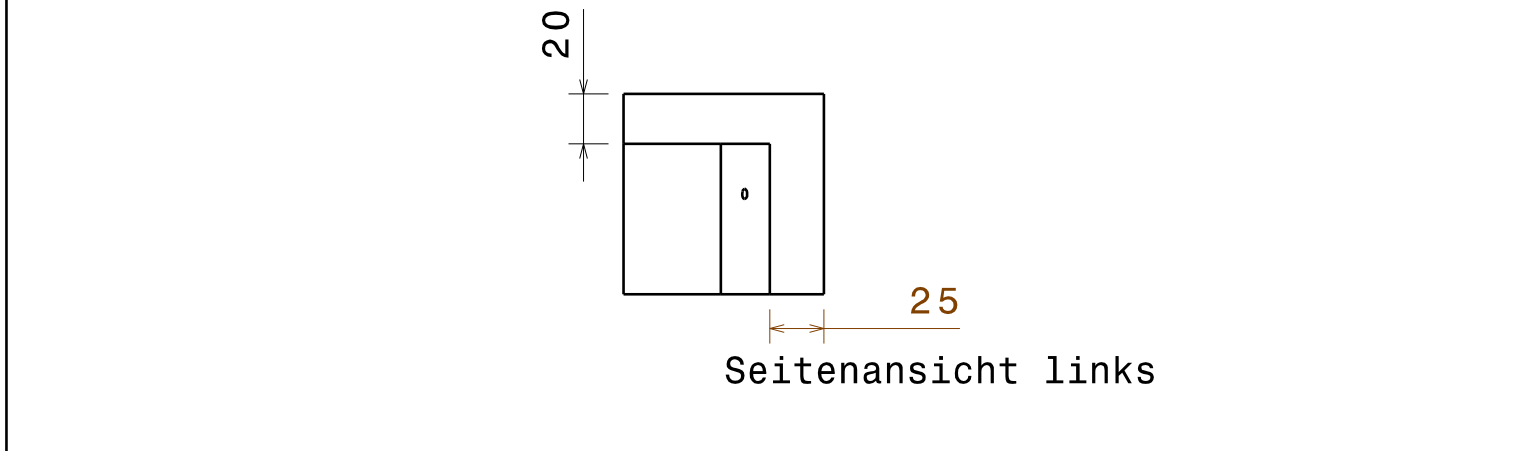
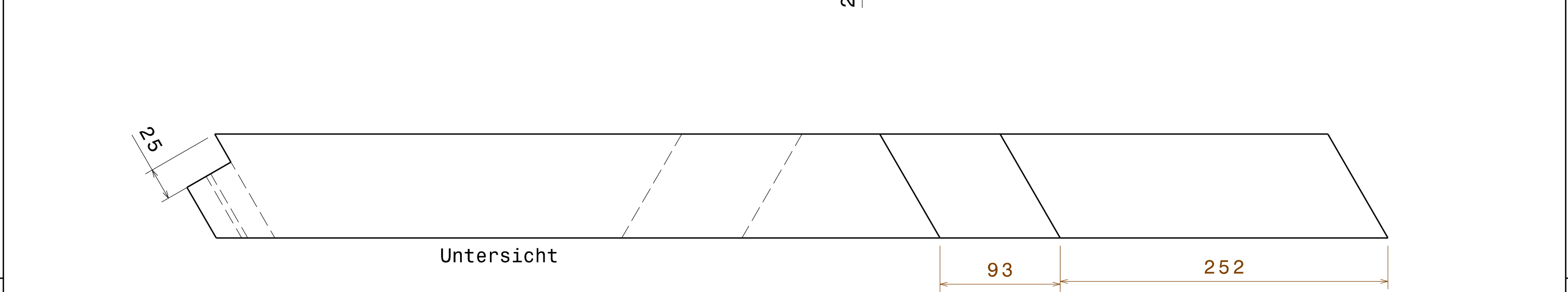
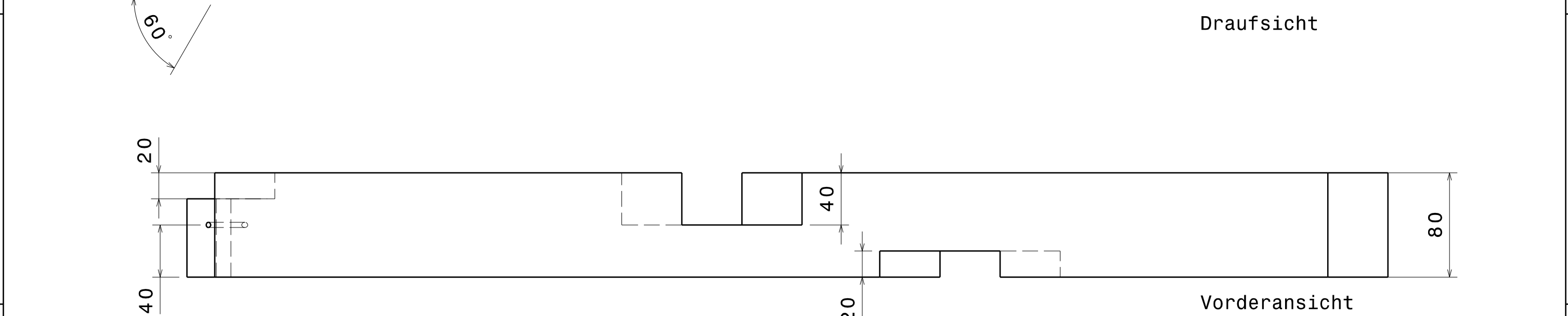
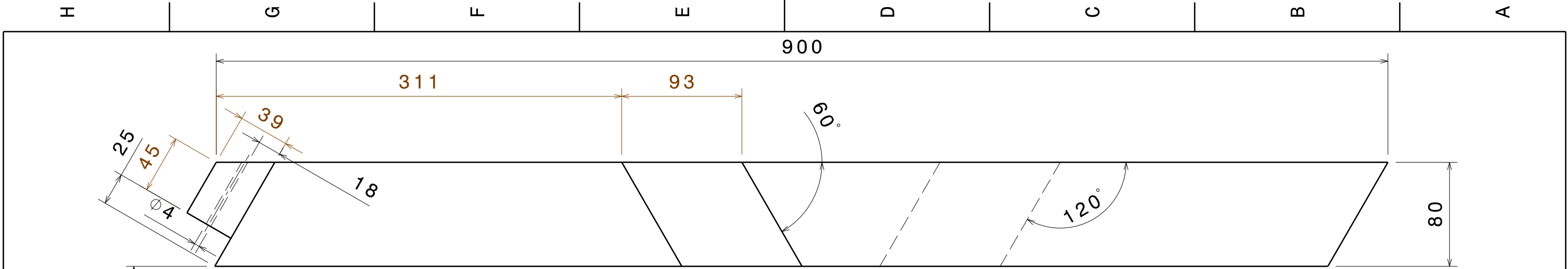
DATE
xx.xx.2018

DESIGNED BY
M. Sierpinski

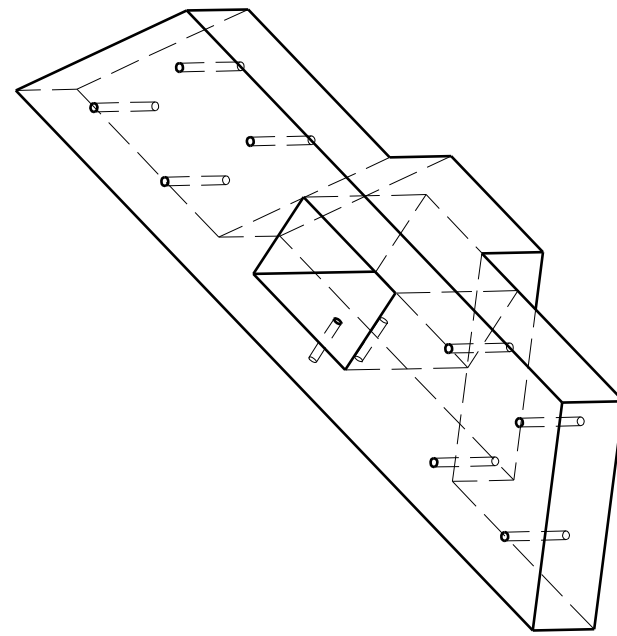
DRAWING TITLE
Tisch

SIZE A3	DRAWING NUMBER Tischbein Typ 1	REV X
SCALE 1:3	WEIGHT (kg)	SHEET 7/10

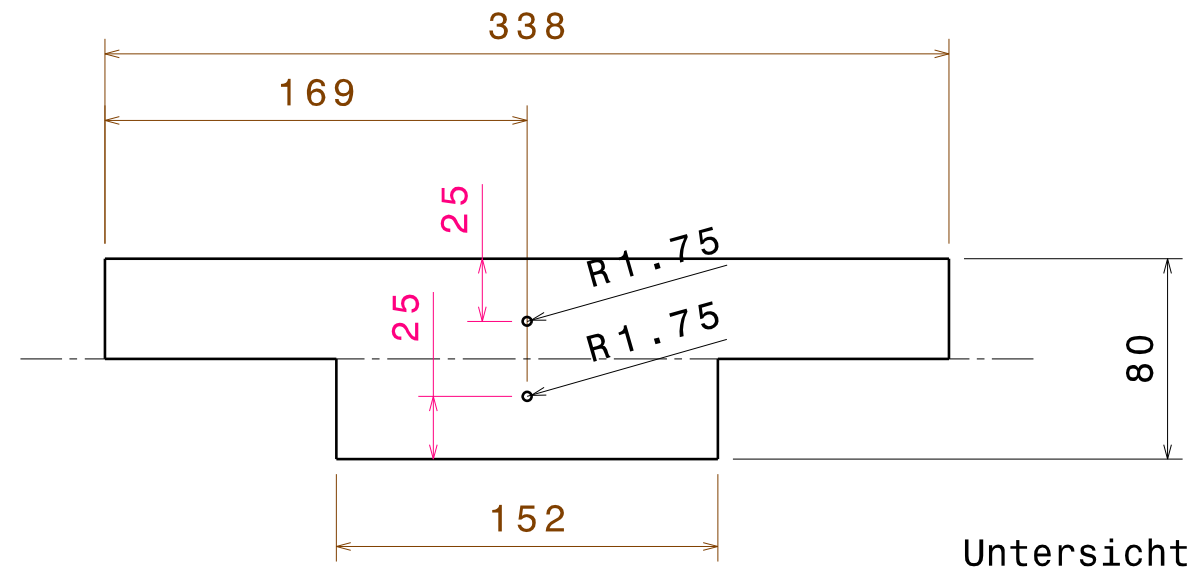
H G B A



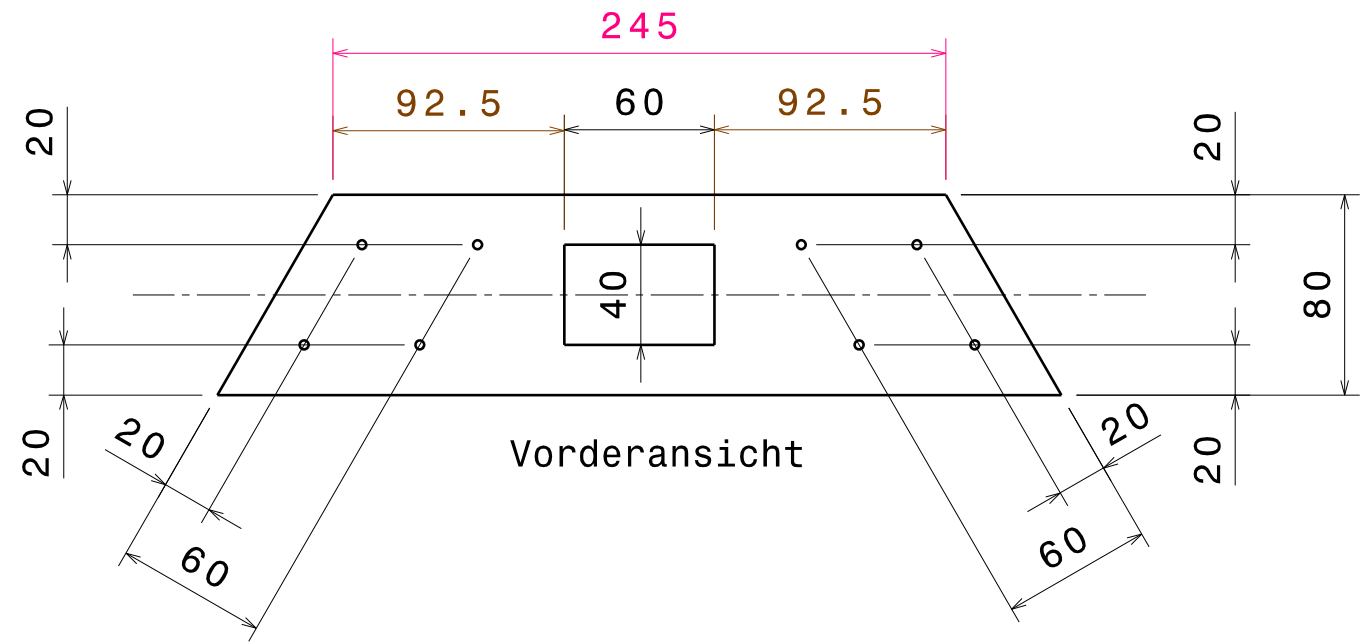
This drawing is our property. It can't be reproduced or communicated without our written agreement.		THW Jugend NRW e.V. Landeswettkampf 2018		
DRAWN BY M. Sierpinski		DATE 22.01.2018		DRAWING TITLE Tisch
CHECKED BY AK Wettkampf		DATE xx.xx.2018		
DESIGNED BY M. Sierpinski		SIZE A3	DRAWING NUMBER Tischbein Typ 2	REV X
		SCALE 1:3	WEIGHT (kg)	SHEET 8/10



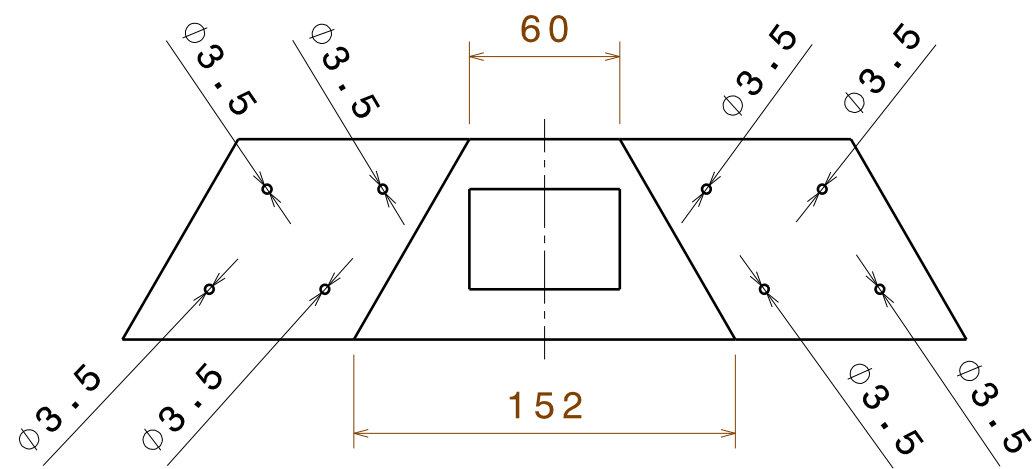
Isometrische Ansicht



Untersicht



Vorderansicht



Rückansicht

This drawing is our property.
It can't be reproduced
or communicated without
our written agreement.

THW Jugend NRW e.V.
Landeswettkampf 2018

DRAWING TITLE

Tisch

DRAWN BY M. Sierpinski	DATE 22.01.2018
CHECKED BY AK Wettkampf	DATE xx.xx.2018
DESIGNED BY M. Sierpinski	DATE 22.01.2018

SIZE A3	DRAWING NUMBER Halter Querstrebe	REV X
SCALE 1:3	WEIGHT (kg)	SHEET 9/10

H

G

F

E

D

C

B

A

4

4

760

60

Vorderansicht

3

3

40

Draufsicht

2

2

1

1

This drawing is our property.
It can't be reproduced
or communicated without
our written agreement.

THW Jugend NRW e.V.
Landeswettkampf 2018

DRAWING TITLE

Tisch

DRAWN BY
M. Sierpinski

DATE
22.01.2018

CHECKED BY
AK Wettkampf

DATE
xx.xx.2018

DESIGNED BY
M. Sierpinski

DATE
22.01.2018

SIZE
A3

DRAWING NUMBER
Querstrebe

REV
X

SCALE 1:3

WEIGHT (kg)

SHEET 10/10

H

G

B

A