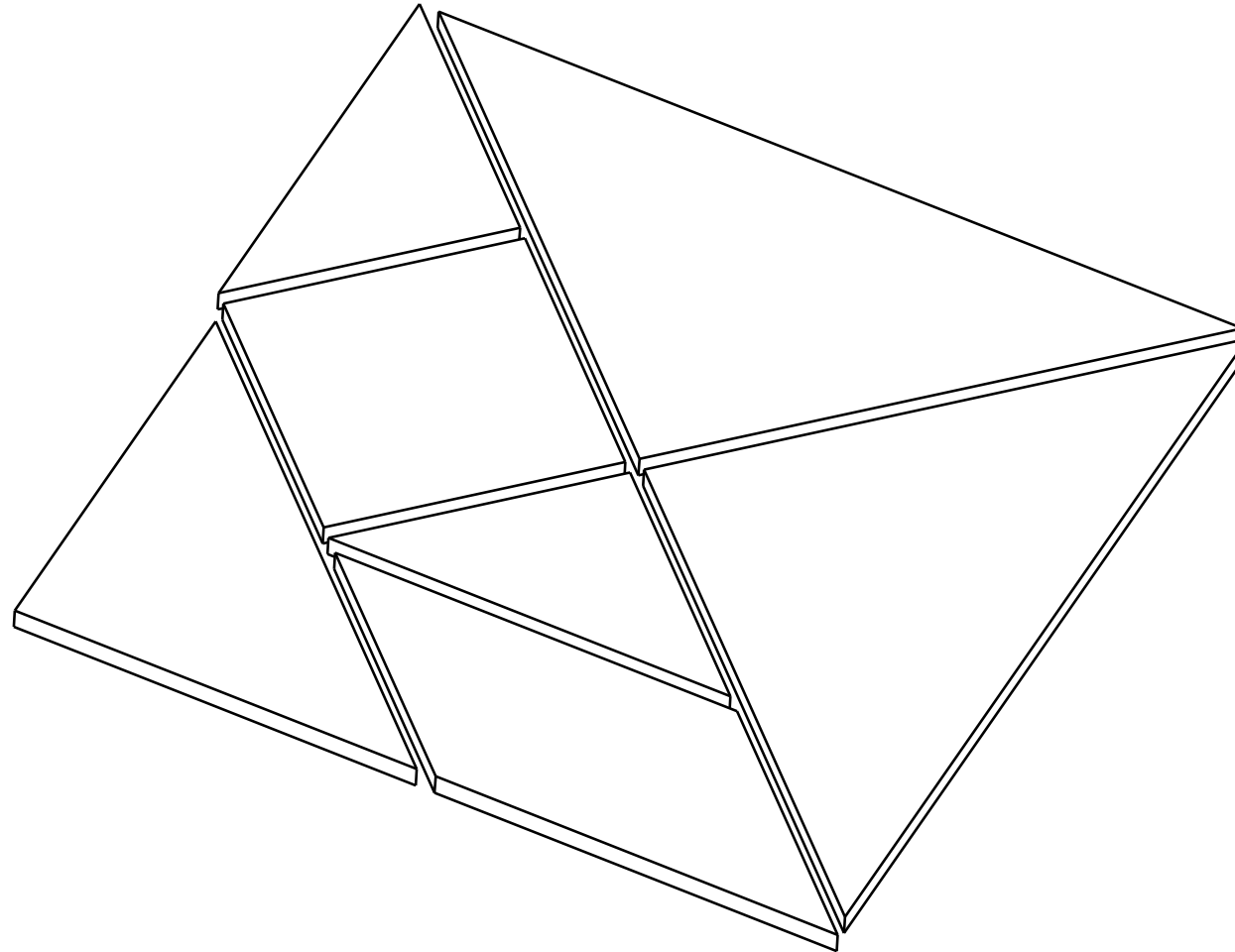


Holzspiel



This drawing is our property. It can't be reproduced or communicated without our written agreement.		THW-Jugend NRW e.V. Landeswettkampf 2015		
DRAWN BY M. Sierpinski		DATE 31.03.2015	DRAWING TITLE Holzspiel	
CHECKED BY AK Wettkampf	DATE 18.04.2015	SIZE A3	DRAWING NUMBER Übersicht	REV X
DESIGNED BY M. Sierpinski	DATE 31.03.2015	SCALE 1:5	WEIGHT(kg)	SHEET 1/6

H G F E D C B A

4

4

3

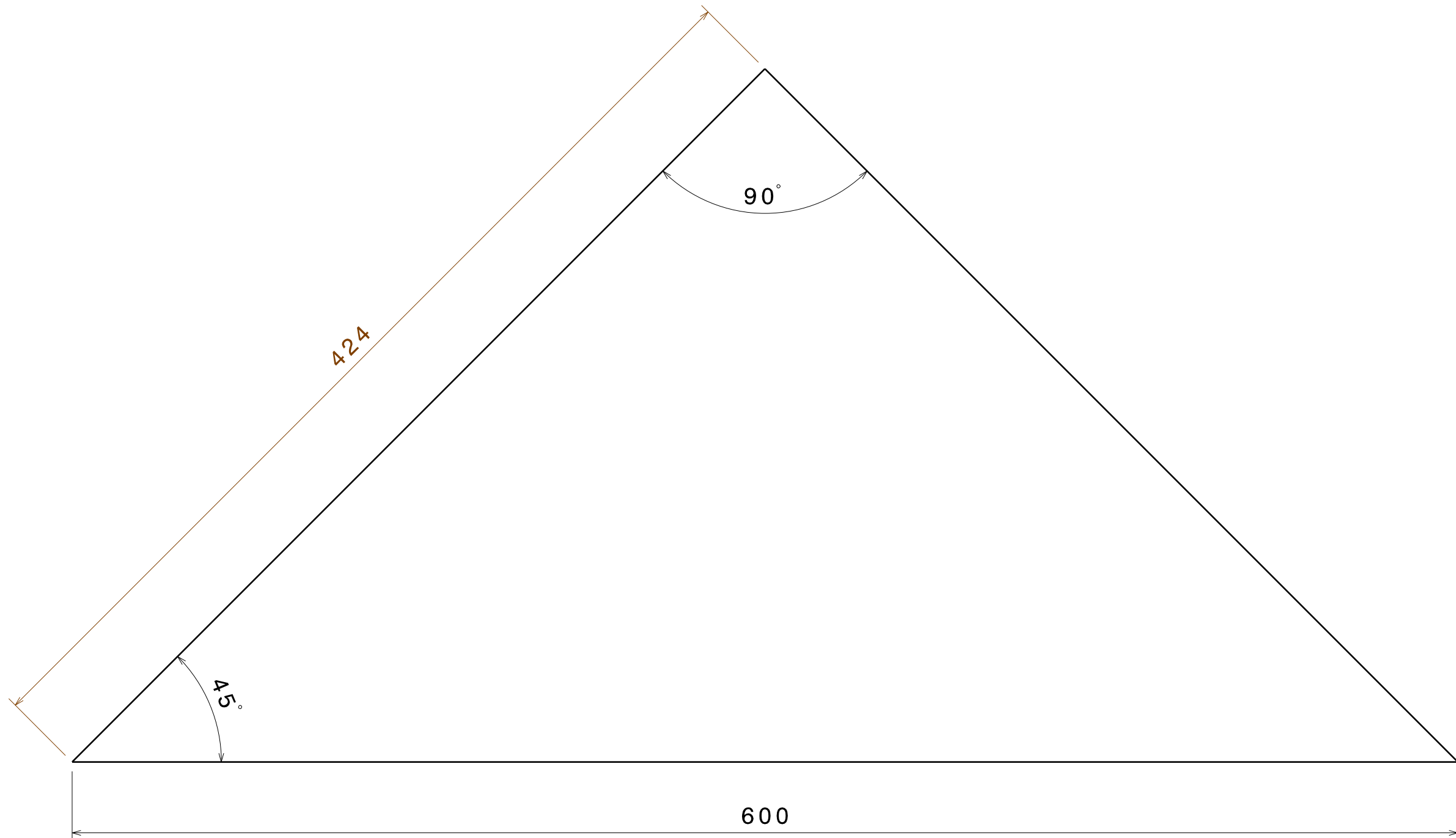
3

2

2

1

1



Dieses Teil des Holzspieles
muss zweimal hergestellt werden.

This drawing is our property. It can't be reproduced or communicated without our written agreement.		THW-Jugend NRW e.V. Landeswettkampf 2015		
DRAWN BY M. Sierpinski		DATE 31.03.2015	DRAWING TITLE Holzspiel	
CHECKED BY AK Wettkampf		DATE 18.04.2015	SIZE A3	DRAWING NUMBER Teil A
DESIGNED BY M. Sierpinski		DATE 31.03.2015	SCALE 1:2	WEIGHT (kg) SHEET 2/6
				REV X

H G B A

H G F E D C B A

4

4

3

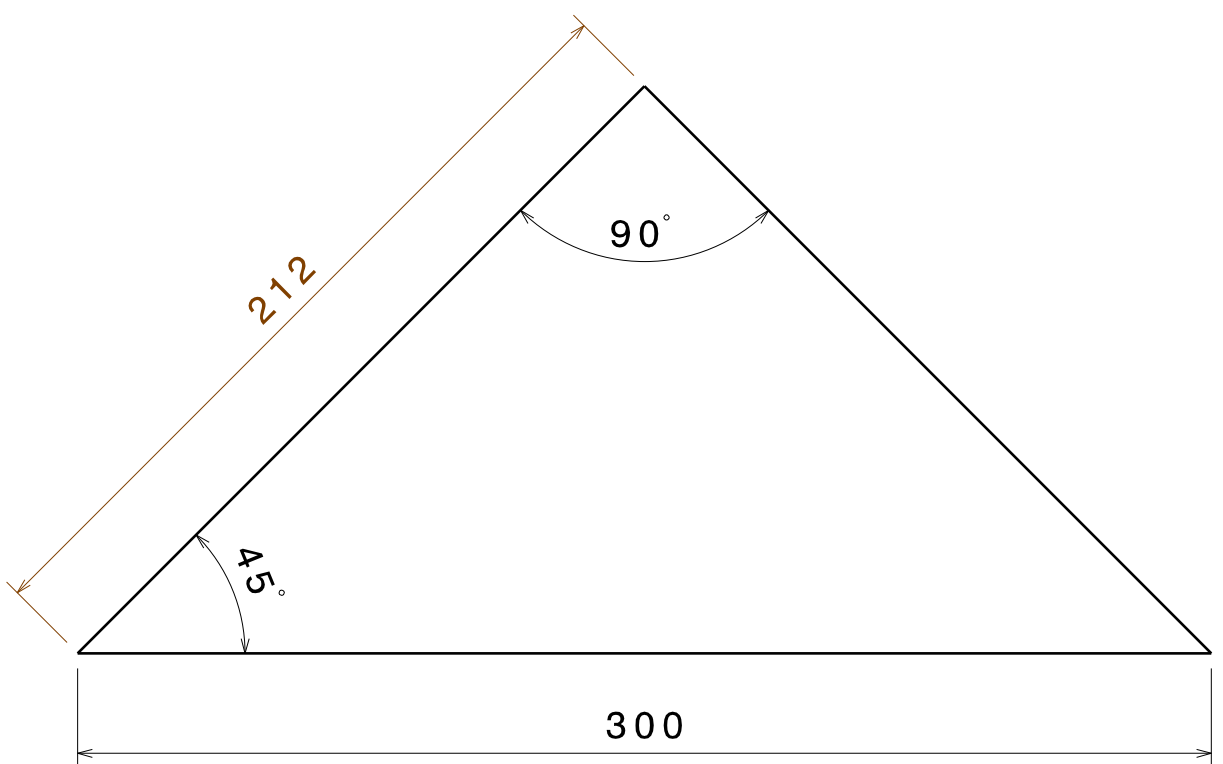
3

2

2

1

1



Dieses Teil des Holzspieles
muss zweimal hergestellt werden.

This drawing is our property. It can't be reproduced or communicated without our written agreement.		THW-Jugend NRW e.V. Landeswettkampf 2015		
DRAWN BY M. Sierpinski		DATE 31.03.2015		DRAWING TITLE Holzspiel
CHECKED BY AK Wettkampf		DATE 18.04.2015		
DESIGNED BY M. Sierpinski		DATE 31.03.2015		SIZE A3
		SCALE 1:2		DRAWING NUMBER Teil B
		WEIGHT (kg)		REV X
		SHEET 3/6		

H G F E D C B A

H G F E D C B A

4

4

3

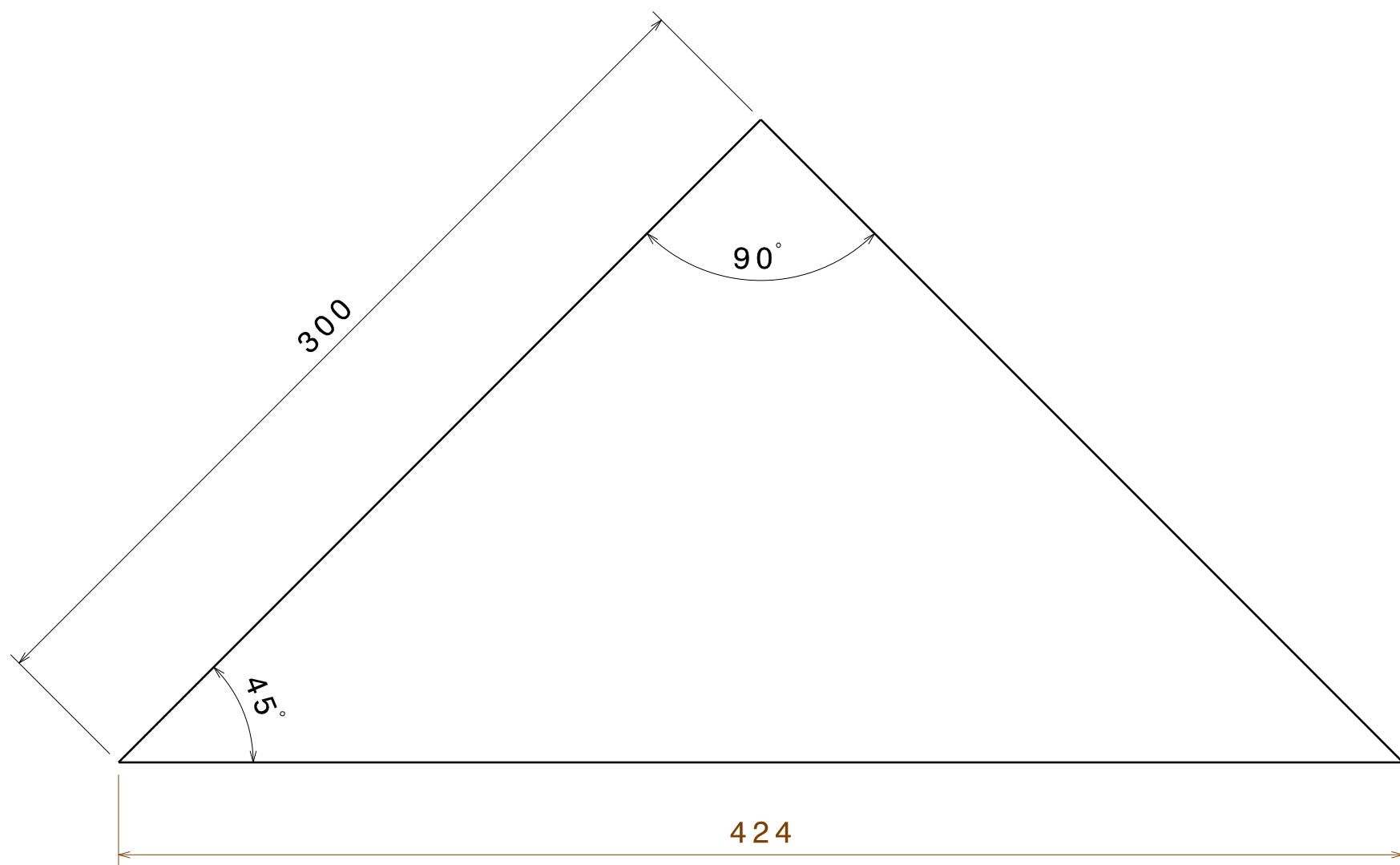
3

2

2

1

1



This drawing is our property. It can't be reproduced or communicated without our written agreement.		THW-Jugend NRW e.V. Landeswettkampf 2015			
DRAWN BY M. Sierpinski		DATE 31.03.2015	DRAWING TITLE Holzspiel		
CHECKED BY AK Wettkampf		DATE 18.04.2015	SIZE A3	DRAWING NUMBER Teil C	REV X
DESIGNED BY M. Sierpinski		DATE 31.03.2015	SCALE 1:2	WEIGHT (kg)	SHEET 4/6

H G B A

H G F E D C B A

4

4

3

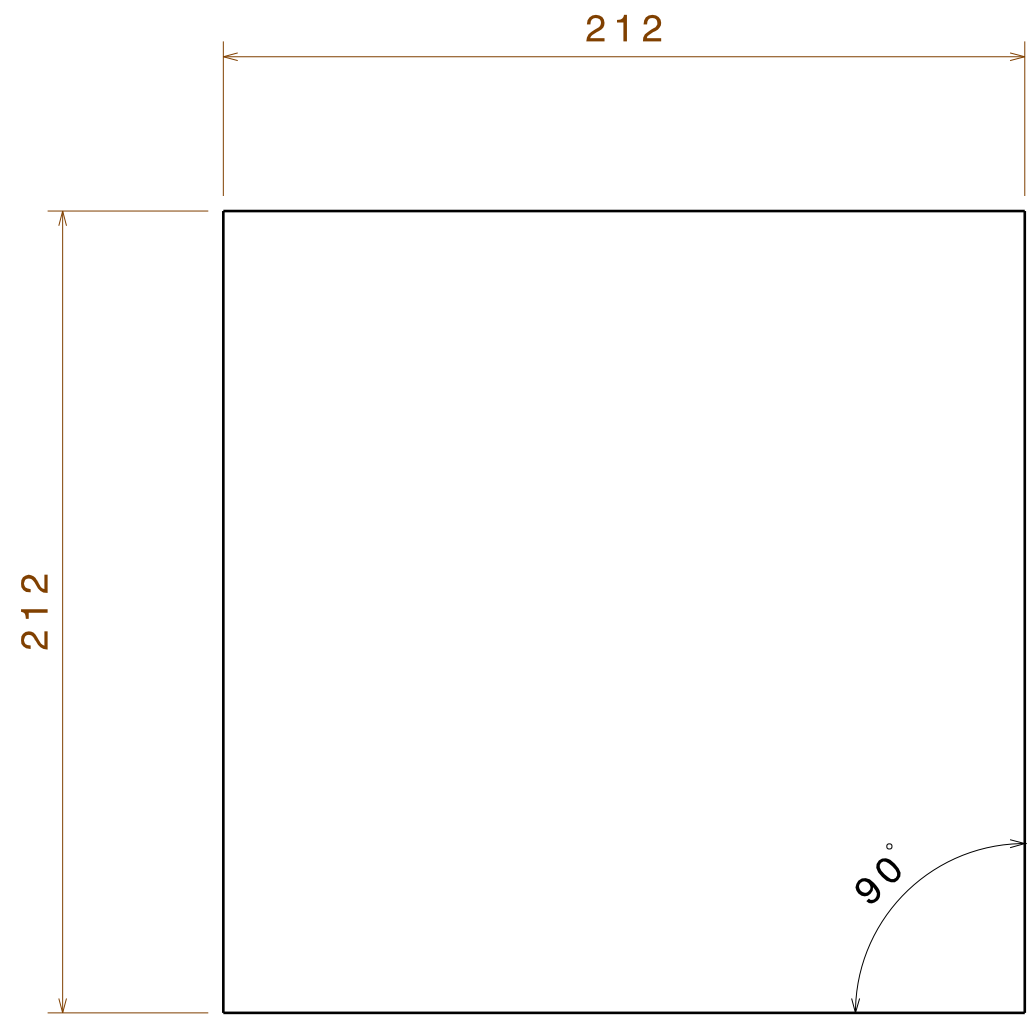
3

2

2

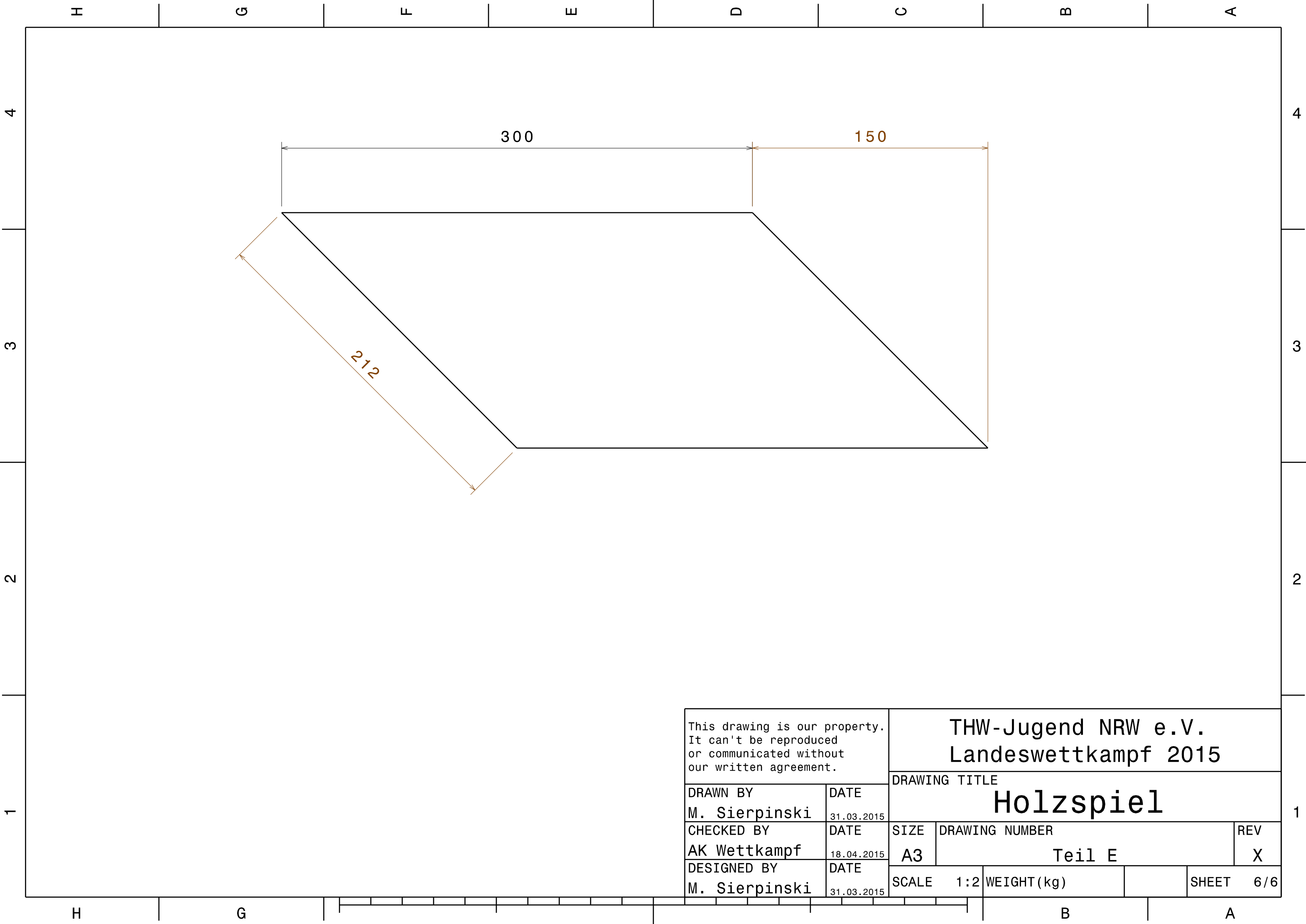
1

1



This drawing is our property. It can't be reproduced or communicated without our written agreement.		THW-Jugend NRW e.V. Landeswettkampf 2015		
DRAWN BY M. Sierpinski		DATE 31.03.2015	DRAWING TITLE Holzspiel	
CHECKED BY AK Wettkampf	DATE 18.04.2015	SIZE A3	DRAWING NUMBER Teil D	REV X
DESIGNED BY M. Sierpinski	DATE 31.03.2015	SCALE 1:2	WEIGHT(kg)	SHEET 5/6

H G B A



This drawing is our property.
It can't be reproduced
or communicated without
our written agreement.

THW-Jugend NRW e.V.
Landeswettkampf 2015

DRAWN BY
M. Sierpinski

DRAWING TITLE
Holzspiel

CHECKED BY
AK Wettkampf

DATE 31.03.2015	SIZE A3	DRAWING NUMBER Teil E	REV X
--------------------	-------------------	--------------------------	----------

DESIGNED BY
M. Sierpinski

DATE 31.03.2015	SCALE 1:2	WEIGHT (kg)	SHEET 6/6
--------------------	--------------	-------------	--------------