

H G F E D C B A

4

4

3

3

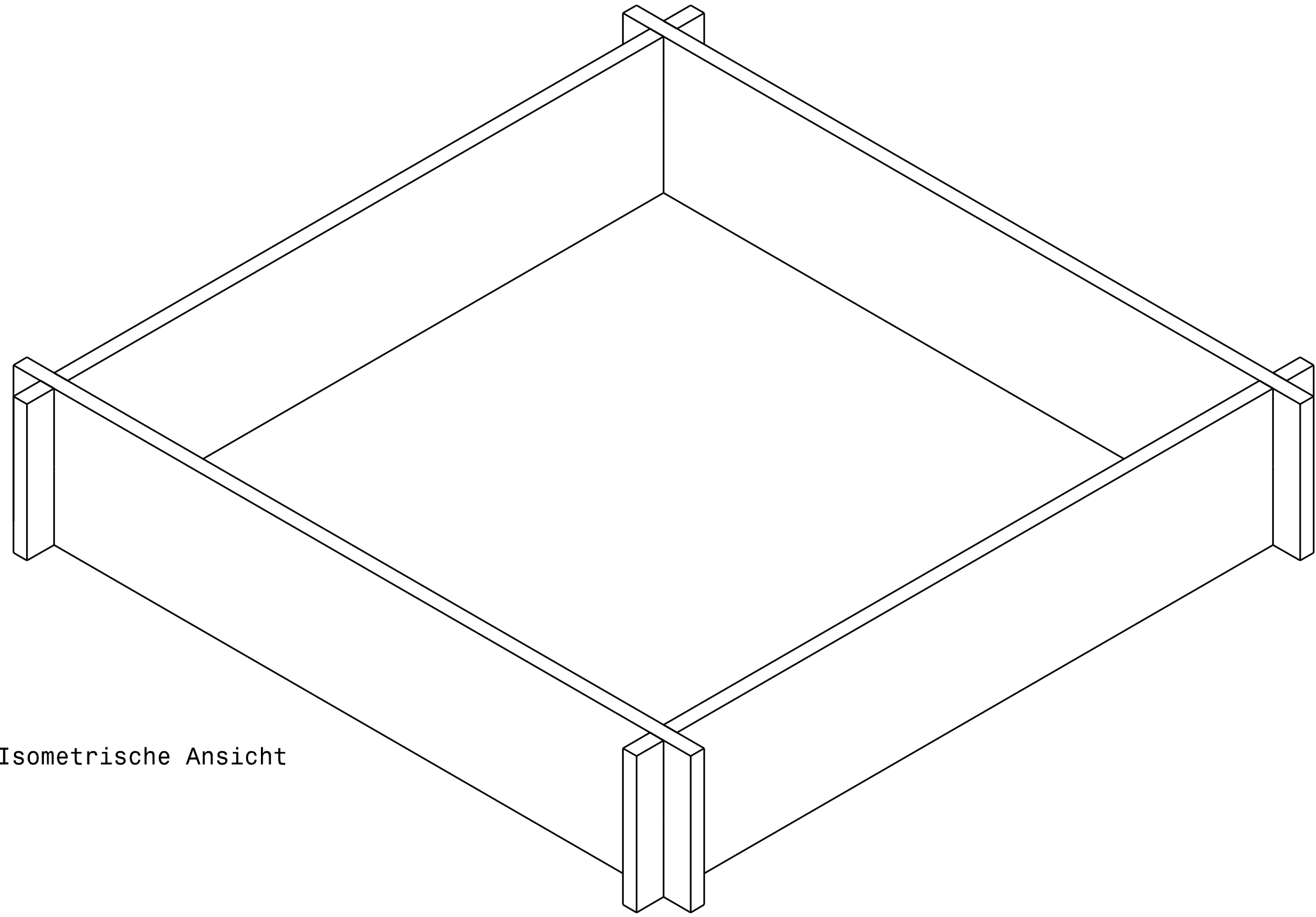
2

2

1

1

Isometrische Ansicht

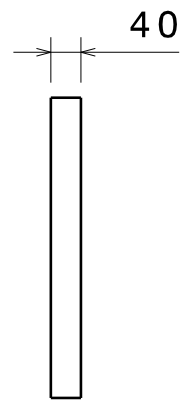
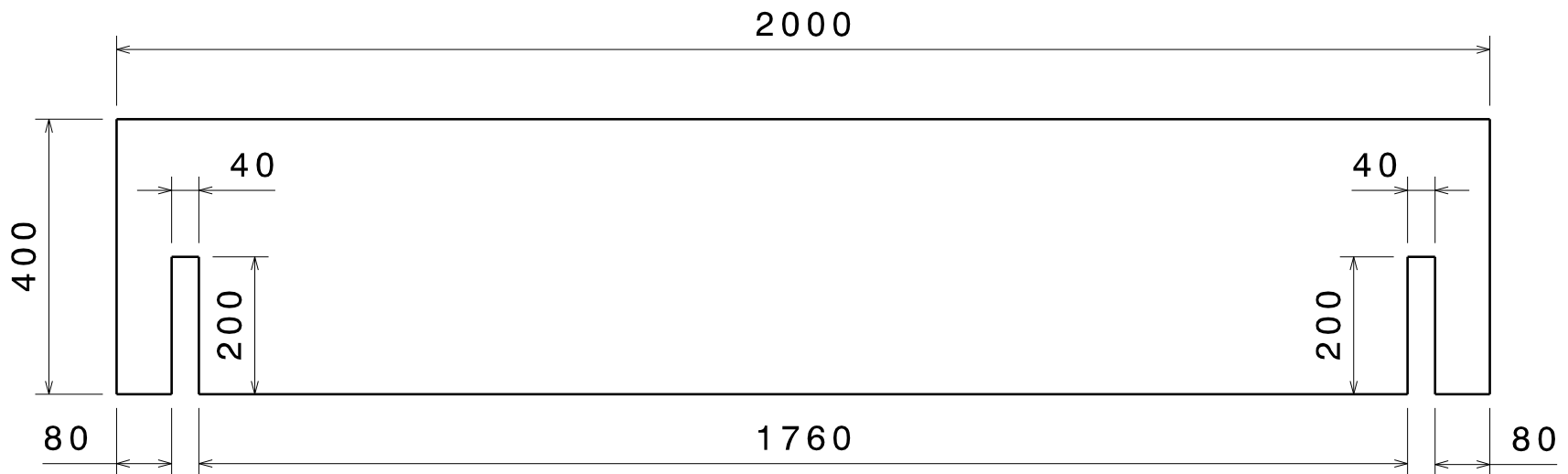


This drawing is our property. It can't be reproduced or communicated without our written agreement.		THW Jugend NRW e.V. Landeswettkampf 2013		
DRAWN BY M. Sierpinski		DATE 21.04.2013		DRAWING TITLE Auffangbecken
CHECKED BY AK Wettkampf		DATE 25.05.2013		
DESIGNED BY M. Sierpinski		DATE 21.04.2013		SIZE A3
		DRAWING NUMBER Übersicht		REV X
		SCALE 1:10		WEIGHT (kg)
		SHEET 1/2		

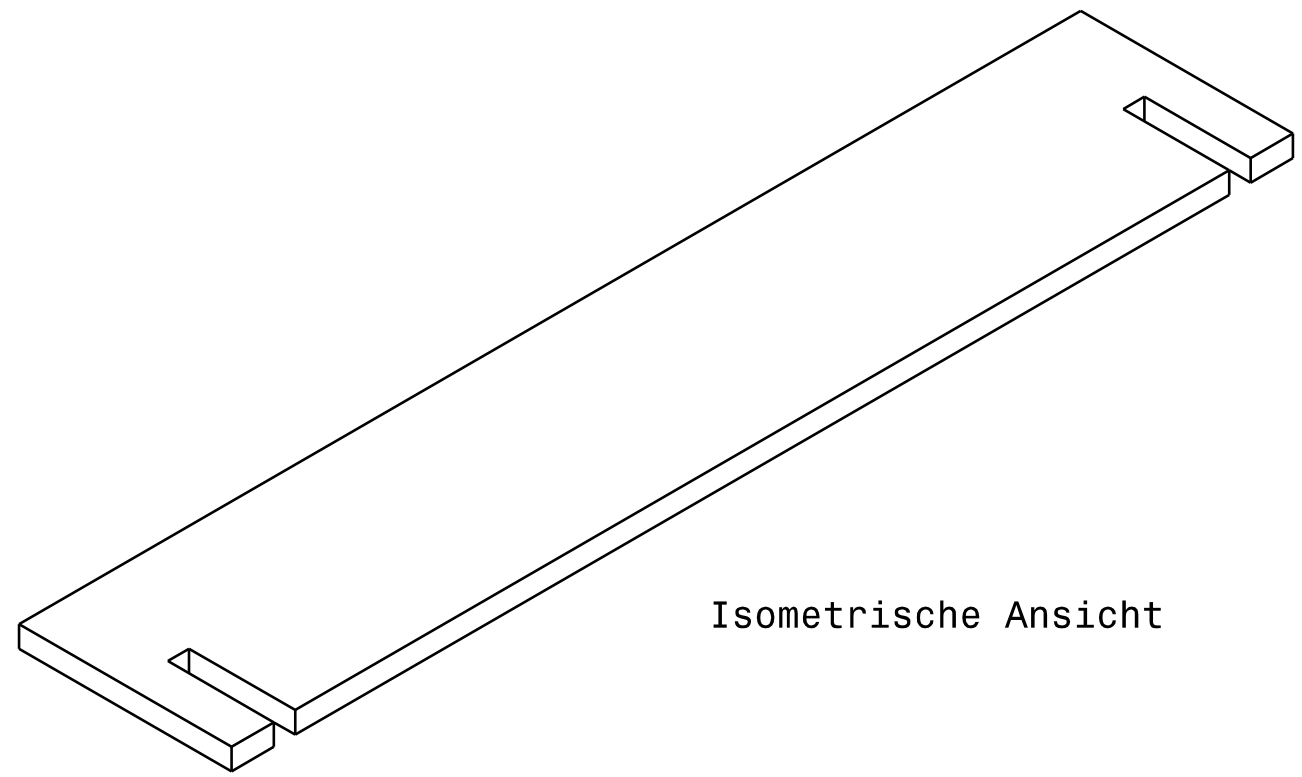
H G B A

H G F E D C B A

Vorderansicht



Seitenansicht links



Isometrische Ansicht

This drawing is our property. It can't be reproduced or communicated without our written agreement.		THW Jugend NRW e.V. Landeswettkampf 2013			
DRAWN BY M. Sierpinski		DATE 21.04.2013		DRAWING TITLE Auffangbecken	
CHECKED BY AK Wettkampf		DATE 25.05.2013			
DESIGNED BY M. Sierpinski		SIZE A3	DRAWING NUMBER Seitenwand		REV X
		SCALE 1:10	WEIGHT (kg)		SHEET 2/2

H G B A

4

4

3

3

2

2

1

1